



ZHEJIANG
SHUANGDA
VALVE CO.,LTD.





SHUANGDA VALVE



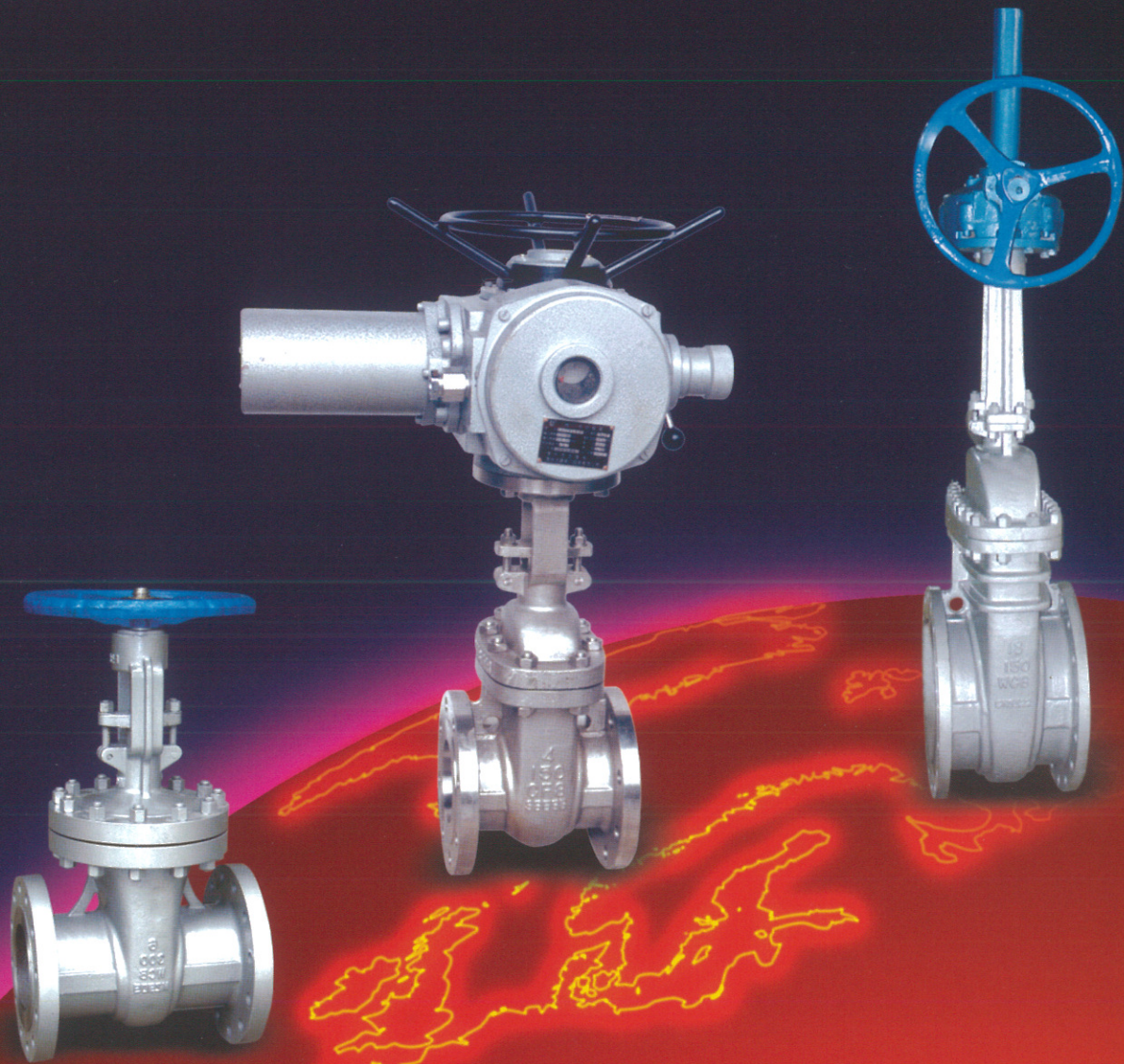
CONTENTS

■ Products	01-02
■ Gate Valve	03
Cast Steel Wedge Gate Valve	04-06
Pressure Sealed Wedge Gate Valve	07
Forge Steel Gate Valves in NPT & SW Ends	08
Forge Steel Gate Valves in Flange & BW Ends	09
■ Globe Valve	10
Cast Steel Globe Valve	11-13
Forge Steel Globe Valves in NPT & SW Ends	14
Forge Steel Globe Valves in Flange & BW Ends	15
■ Check Valve	16
Cast Steel Swing Check Valve	17-19
Pressure Sealed Swing Check Valve	20
Forge Steel Check Valves in NPT & SW Ends	21
Forge Steel Flanged Check Valve	22
Wafer Dual Plate Check Valve	23
Wafer Lifting Check Valve	24
Non-Slam Check Valve	25
■ Strainer	26
■ Ball valve	27
Products	28
Brief Introduction for Floating Ball Valve	29-30
Floating Ball Valve	31
1PC Body Floating Ball Valve in Cast Steel-series	32
2PC Body Floating Ball Valve in Cast Steel-Series	32-33
2PC Body Floating Ball Valve in Forge Steel-Series	34-35
Trunnion Mounted Ball Valve	36-38
2PC Body Trunnion Mounted Ball Valve in Cast Steel-Series	39
3PC Body Trunnion Mounted Ball Valve in Forge Steel-Series	40-44
Three-Way Ball Valve in Cast Steel Series	45
Top Entry Ball Valve in cast Steel-Series	46
Fully Welded Ball Valve-Series	47-48
■ butterfly valve & Plug valve	49
JIS Flange connection metallic seal butterfly valve	50
ANSI Wafer connection metallic sealing butterfly valve	51
Self-Lubricating Plug Valve	52
Pressure Balanced Plug Valve	53-54

Type		Design/Manufac-ture Standard	Connection End & Standard	Inspection & Test Standard	Size & Class
Forge Steel Gate Valve	NPT Ends	API 602	ASME B1.20.1 ASME B16.11 ASME B16.5 ASME B16.25	API 598	1/4"~2" CLASS 150~800
	SW Ends	ASME B16.34			1/4"~2" CLASS 900~1500
	Flanged Ends	BS 5352			1/2"~2" 'CLASS 150~1500
Forge Steel Globe Valve	NPT Ends	ASME B16.34			1/4"~2" CLASS 150~800
	SW Ends	ASME B16.34			1/4"~2" CLASS 1500
Forge Steel Check Valve	Flanged Ends	BS 5352			1/2"~2" 'CLASS 150~600
	NPT Ends	ASME B16.34	1/4"~2" CLASS 150~800		
Forge Steel Check Valve	SW Ends	ASME B16.34	1/4"~2" CLASS 900~1500		
	Flanged Ends	BS 5352	1/2"~2" 'CLASS 150~600		
Cast Steel Gate Valve	Wedge Type	ASME B16.34	ASME B16.5 ASME B16.25 ASME B16.47	API 598 ISO 5208 API 6D BS 6755	2"~36" CLASS 150~300
	Pressure Sealed	API 600			2"~24" CLASS 600
BS 1414		2"~16" CLASS 900~1500			
Cast Steel Globe Valve		ASME B16.34			2"~16" CLASS 150
		BS 1873			2"~12" CLASS 300~600
					2"~8" CLASS 900~1500
Cast Steel Check Valve	Swing Type	ASME B16.34			2"~30" CLASS 150
		BS 1868			2"~24" CLASS 300~600
	Pressure Sealed	ISO 14313			2"~16" CLASS 900~1500
		API 6D			2"~16" CLASS 900~2500
	Wafer Dual Plate Type	ASME B16.34	2"~32" CLASS 150		
ISO 14313		2"~30" CLASS 300			
Wafer Lifting Type	API 6D	2"~24" CLASS 600~900			
	API 594	2"~16" CLASS 1500			
Non-Slam Check Valve	ASME B16.34	1/2"~8" CLASS 150~900			
	BS 1868	2"~24" CLASS 150~ 1500			
Strainer		ASME B16.34	1/2"~8" 'CLASS 150~600		

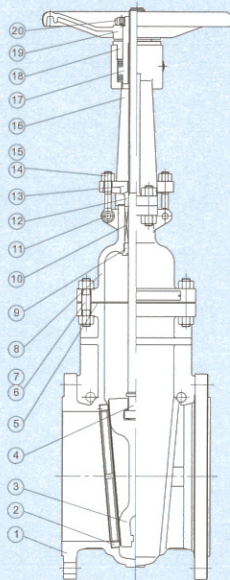
	Operator	Body Material	Trim	Sealing Material	Bolting Material
	Handwheel	A105 A182 F11 A182 F22 A182 F5 A182 F304 A182 F316 A182 F304L A182 F316L A350 LF2	A182 F6a A182 F5 A182 F304 A182 F316 A182 F304L A182 F316L		
	—				
	Handwheel Bevel Gear Pneumatic Actuator Electric Actuator			Stellite Monel Stainless Steel Alloy 20	A193 B7/A194 2H A193 B7M/A194 2HM A320 L7/A194 4 A193 B8/A194 8 A193 B8M/A194 8M A193 B16/A194 4
		A216 WCB A217 WC6 A217 WC9 A217 C5 A217 C12 A351 CF8 A351 CF8M A351 CF3 A351 CF3M A352 LCB A351 CD4MCU	A182 F6a A182 F5 A182 F304 A182 F316 A182 F304L A182 F316L A182 F51		
	—				
			—	—	

Gate valve Series



SHUANGDA VALVE

Cast Steel Wedge Gate Valve



Valve Part Name			
1	Body	11	Pin
2	Seat	12	Packing Bushing
3	Wedge	13	Packing Plate
4	Stem	14	Eyebolt
5	Gasket	15	Nut
6	Nut	16	Yoke
7	Stud	17	Yoke Nut
8	Bonnet	18	Bearing Gland
9	Back Seat	19	Handwheel
10	Packing	20	Locked Nut

Design & Manufacture Standard

* Design & Manufacture as per API 600, ASME B16.34, BS 1414.

* Connection ends dimension as per ASME B16.5, ASME B16.47, ASME B16.25.

Pressure Test

(MPa)

CLASS	Back Seat Test	Shell Test	High Pressure Seal Test	Low Pressure Seal Test
150	3.0	2.2	2.2	0.6
300	7.5	5.5	5.5	
600	15.0	11.0	11.0	
900	22.5	16.5	16.5	
1500	37.5	27.5	27.5	
2500	63.0	46.2	46.2	

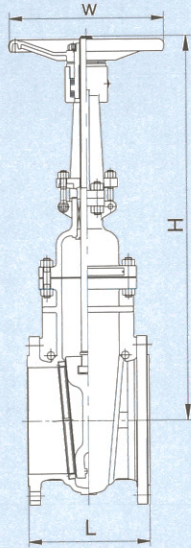
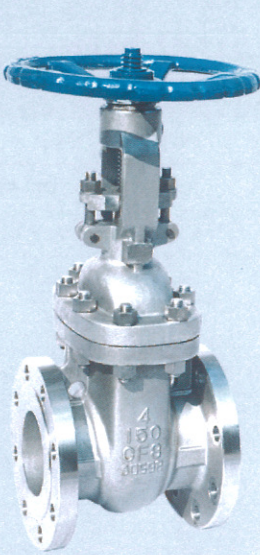
Main Valve Part Material

Valve Part Name	Carbon Steel		Alloy Steel			Stainless Steel				
Body	A216 WCB	A352 LCB	A217 WC6	A217 WC9	A217 C5	A351 CF8	A351 CF8M	A351 CF3	A351 CF3M	CD4MCU
Bonnet	A216 WCB	A352 LCB	A217 WC6	A217 WC9	A217 C5	A351 CF8	A351 CF8M	A351 CF3	A351 CF3M	CD4MCU
Stem	A182 F6a	A182 F304	A182 F304	A182 F304	A182 F304	A182 F304	A182 F316	A182 F304L	A182 F316L	F51
Stud	A193 B7	A320 L7	A193 B16	A193 B16	A193 B8	A193 B8	A193 B8M	A193 B8	A193 B8M	A193 B8M
Nut	A194 2H	A194 4	A194 4	A194 4	A194 8	A194 8	A194 8M	A194 8	A194 8M	A194 8M
Yoke	A216 WCB	A352 LCB	A217 WC6	A217 WC9	A217 C5	A351 CF8	A351 CF8M	A351 CF3	A351 CF3M	CD4MCU
Back seat	A182 F6a	A182 F304	A182 F304	A182 F304	A182 F304	A182 F304	A182 F316	A182 F304L	A182 F316L	F51
Packing Bushing	A276 410	A276 304	A276 304	A276 304	A276 304	A276 304	A276 316	A276 304	A276 316	F51
Packing Plate	A216 WCB	A352 LCB	A217 WC6	A217 WC9	A217 C5	A351 CF8	A351 CF8M	A351 CF3	A351 CF3M	CD4MCU

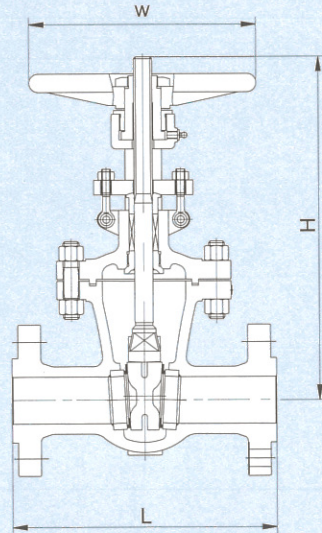
Note: 1. All of valve part materials comply with ASTM standard.

2. Above material is our normal one. If client has special requirement for it, we can choose material as per detailed site condition.

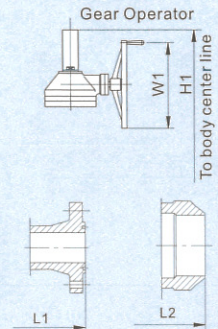
CLASS 150-300 Cast Steel Wedge Gate Valve



CLASS 150 Assembly Drawing



CLASS 300 Assembly Drawing



Main Size and Weight

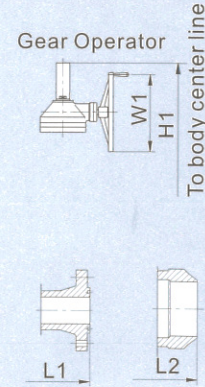
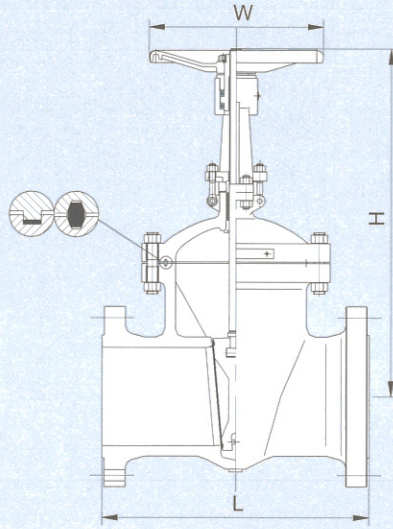
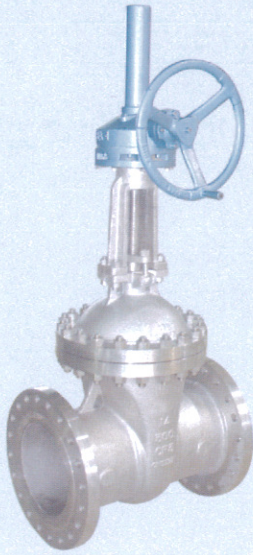
CLASS 150

SIZE	inch	2	2-1/2	3	4	5	6	8	10	12	14	16	18	20	24	28	30	32	36
	mm	50	65	80	100	125	150	200	250	300	350	400	450	500	600	700	750	800	900
L	mm	178	191	203	229	254	267	292	330	356	381	406	432	457	508	610	610	660	711
L1	mm	191	203	216	241	267	279	305	343	368	394	419	445	470	521	-	-	-	-
L2	mm	216	241	283	305	381	403	419	457	502	572	610	660	711	813	914	914	965	1016
H	mm	361	396	435	522	570	610	750	935	1065	1224	1345	1487	1627	1931	-	-	-	-
W	mm	250	250	280	300	350	350	400	400	500	600	600	600	680	920	-	-	-	-
H1	mm	-	-	-	-	-	-	-	1280	1510	1670	1885	2045	2210	2675	3050	3426	3515	4000
W1	mm	-	-	-	-	-	-	-	310	460	460	460	460	460	600	600	600	600	600
T	N.m	12.4	17	23	34.5	60	85	125	138	200	276	396	491	650	1018	1492	1703	2172	2563
WT(RF)	Kg	20	30	33	49	60	75	120	205	290	400	511	650	789	1200	1800	2560	3060	3500

CLASS 300

SIZE	inch	2	2-1/2	3	4	5	6	8	10	12	14	16	18	20	24	28	30	32	36
	mm	50	65	80	100	125	150	200	250	300	350	400	450	500	600	700	750	800	900
L	mm	216	241	283	305	381	403	419	457	502	762	838	914	991	1143	1346	1397	1524	1727
L1	mm	232	257	298	321	397	419	435	473	518	778	854	930	1010	1165	1372	1422	1553	1756
L2	mm	216	241	283	305	381	403	419	457	502	762	838	914	991	1143	1346	1397	1524	1727
H	mm	352	390	420	496	570	635	772	995	1090	1265	1385	1510	1630	-	-	-	-	-
W	mm	250	250	250	300	350	400	450	500	600	650	750	750	920	-	-	-	-	-
H1	mm	-	-	-	-	-	-	-	1375	1524	1718	1860	2077	2310	2809	3078	3396	3700	4115
W1	mm	-	-	-	-	-	-	-	460	460	460	460	460	460	600	600	600	600	600
T	N.m	27.5	40	54	80	194	202	226	354	558	736	966	1259	1540	2658	4264	5403	6600	7900
WT(RF)	Kg	24	36	47	69	89	123	196	333	440	710	950	1405	1720	2770	3312	4100	5200	6700

CLASS 600-1500 Cast Steel Wedge Gate Valve



Main Size and Weight

CLASS 600

SIZE	inch	2	2-1/2	3	4	6	8	10	12	14	16	18	20	24
	mm	50	65	80	100	150	200	250	300	350	400	450	500	600
L	mm	292	330	356	432	559	660	787	838	889	991	1092	1194	1397
L1	mm	295	333	359	435	562	664	791	841	892	994	1095	1200	1407
L2	mm	292	330	356	432	559	660	787	838	889	991	1092	1194	1397
H	mm	375	410	463	550	713	874	995	1140	1365	-	-	-	-
W	mm	250	250	300	350	500	600	600	650	700	-	-	-	-
H1	mm	-	-	-	-	958	1148	1350	1580	1630	2008	2140	2360	2710
W1	mm	-	-	-	-	310	460	460	460	460	600	600	600	600
T	N. m	54	84	116	209	329	592	937	1401	1773	2215	2952	3862	5505
WT(RF)	Kg	39	52	88	114	285	413	650	800	1140	1700	2268	2850	3500

CLASS 900

SIZE	inch	2	2-1/2	3	4	6	8	10	12	14	16
	mm	50	65	80	100	150	200	250	300	350	400
L	mm	368	419	381	457	610	737	838	965	1029	1130
L1	mm	371	422	384	460	613	740	841	968	1038	1140
L2	mm	368	419	381	457	610	737	838	965	1029	1130
H	mm	445	480	513	613	834	875	1040	1150	-	-
W	mm	300	300	350	400	600	600	650	700	-	-
H1	mm	-	-	-	-	1000	1130	1560	1720	1795	1908
W1	mm	-	-	-	-	310	460	460	460	600	600
T	N. m	122	170	224	338	553	946	1376	2159	2508	3419
WT(RF)	Kg	72	101	130	197	404	650	850	1177	1500	1920

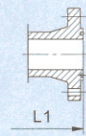
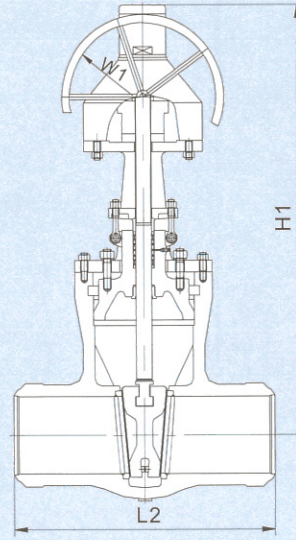
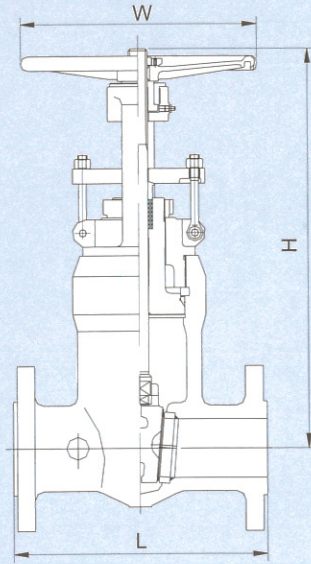
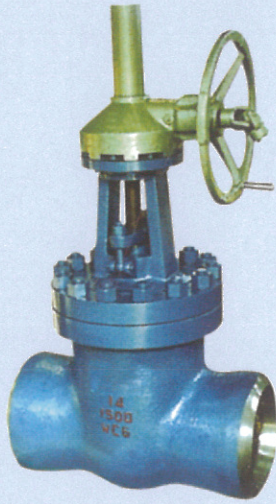
CLASS 1500

SIZE	inch	2	2-1/2	3	4	6	8	10	12	14	16
	mm	50	65	80	100	150	200	250	300	350	400
L	mm	368	419	470	546	705	832	991	1130	1257	1384
L1	mm	371	422	473	549	711	841	1000	1146	1276	1407
L2	mm	368	419	470	546	705	832	991	1130	1257	1384
H	mm	462	512	550	752	-	-	-	-	-	-
W	mm	300	350	400	550	-	-	-	-	-	-
H1	mm	-	-	-	860	1123	1360	1585	1800	2200	2550
W1	mm	-	-	-	310	460	460	460	600	600	600
T	N. m	167	280	385	590	1100	1685	2906	4188	5222	6504
WT(RF)	Kg	85	130	170	304	646	1100	1600	2106	2700	3500



SHUANGDA VALVE

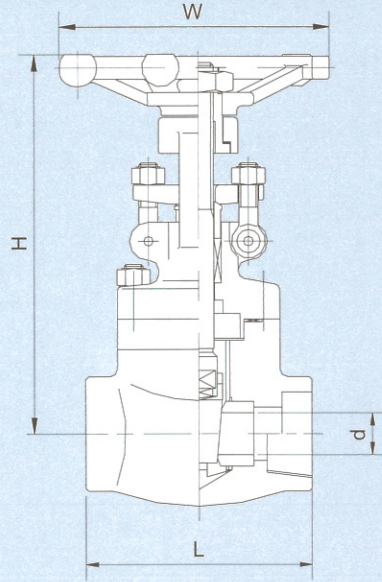
CLASS 900-2500 Pressure Sealed Wedge Gate Valve



Main Size and Weight

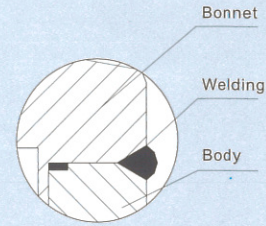
CLASS 900											
SIZE	inch	2	2-1/2	3	4	6	8	10	12	14	16
	mm	50	65	80	100	150	200	250	300	350	400
L	mm	368	419	381	457	610	737	838	965	1029	1130
L1	mm	371	422	384	460	613	740	841	968	1038	1140
L2	mm	216	254	305	356	508	660	787	914	991	1092
H	mm	445	525	660	666	928	-	-	-	-	-
W	mm	300	300	350	400	600	-	-	-	-	-
H1	mm	-	-	-	-	-	1261	1530	1730	1842	2010
W1	mm	-	-	-	-	-	460	460	460	600	600
T	N.m	122	170	224	338	553	946	1376	2159	2508	3419
WT(BW)	Kg	50	74	90	110	195	505	745	1060	1410	1960
CLASS 1500											
SIZE	inch	2	2-1/2	3	4	6	8	10	12	14	16
	mm	50	65	80	100	150	200	250	300	350	400
L	mm	368	419	470	546	705	832	991	1130	1257	1384
L1	mm	371	422	473	549	711	841	1000	1146	1276	1407
L2	mm	216	254	305	406	559	711	864	991	1067	1194
H	mm	485	554	672	768	-	-	-	-	-	-
W	mm	300	350	400	560	-	-	-	-	-	-
H1	mm	-	-	-	-	1123	1360	1550	1800	2060	2320
W1	mm	-	-	-	-	460	460	600	600	600	600
T	N.m	167	280	385	590	1100	1685	2906	4188	5222	6504
WT(BW)	Kg	50	74	90	158	350	690	1030	1460	1810	2760
CLASS 2500											
SIZE	inch	2	2-1/2	3	4	6	8	10	12	14	16
	mm	50	65	80	100	150	200	250	300	350	400
L	mm	451	508	578	673	914	1022	1270	1422	-	-
L1	mm	454	514	584	683	927	1038	1292	1445	-	-
L2	mm	279	330	368	457	610	762	914	1041	1118	1245
H	mm	594	753	840	880	-	-	-	-	-	-
W	mm	350	400	560	600	-	-	-	-	-	-
H1	mm	-	-	-	-	1205	1454	1610	2096	2291	2470
W1	mm	-	-	-	-	600	600	600	760	760	760
T	N.m	288	420	594	1000	1530	2200	3400	4600	6200	7500
WT(BW)	Kg	60	100	110	200	530	750	1610	3010	3410	4210

CLASS 150-1500 Forge Steel Gate Valves in NPT & SW Ends



Design & Manufacture Standard:

- * Design Manufacture as per API 602, BS 5352, ASME B16.34.
- * Connection ends dimension as per ASME B1.20.1, ASME B16.11.
- * Inspection and test as per API 598.



Main Size and Weight

CLASS 150~800

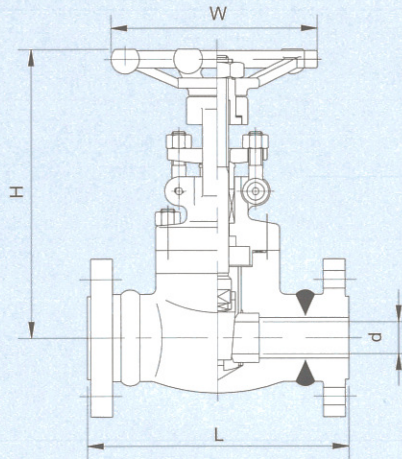
SIZE				L(mm)	W(mm)	Hopen(mm)	WT (Kg)	
inch		mm					RB	FB
RB	FB	RB	FB					
1/4		8		79	100	166	2.2	
3/8	1/4	10	8	79	100	166	2.2	2.2
1/2	3/8	15	10	79	100	166	2.2	2.2
3/4	1/2	20	15	92	100	169	2.2	2.2
1	3/4	25	20	111	125	193	4.7	4.3
1-1/4	1	32	25	120	160	236	5.9	5.9
1-1/2	1-1/4	40	32	120	160	246	6.9	6.9
2	1-1/2	50	40	140	180	283	11.1	11.1
	2		50	178	200	330		15.2

CLASS 900~1500

SIZE		Class	L(mm)	W(mm)	Hopen(mm)	WT (Kg)	
inch	mm					B.B	W.B
1/4	8	900	79	100	166	2.2	-
		1500	111	125	197	4.6	4.7
3/8	10	900	79	100	166	2.2	-
		1500	111	125	197	4.3	4.4
1/2	15	900	92	100	169	2.2	-
		1500	111	125	197	4.2	4.3
3/4	20	900	111	125	193	4.3	-
		1500	111	125	197	4.0	4.2
1	25	900	120	160	230	5.9	-
		1500	120	160	218	6.3	6.6
1-1/4	32	900	120	160	246	6.9	-
		1500	120	160	237	8.7	8.8
1-1/2	40	900	140	180	283	11.1	-
		1500	140	180	274	12.1	12.5
2	50	900	178	200	330	15.2	-
		1500	178	200	320	17.2	17.2

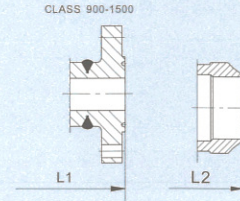
B.B-Bolted Bonnet W.B-Welded Bonnet

CLASS 150-1500 Forge Steel Gate Valves in Flange & BW Ends



Design & Manufacture Standard:

- * Design Manufacture as per API 602
BS 5352, ASME B16.34.
- * Connection ends dimension as per
ASME B 16.5, ASME B16.25.
- * Inspection and test as per API 598.



Main Size and Weight

CLASS 150~600										
SIZE		Class	L (mm)	L2 (mm)	Hopen(mm)		W(mm)		WT (Kg)	
inch	mm				RB	FB	RB	FB	RB	FB
1/2	15	150	108	108	166	169	100	100	4.5	5
		300	140	140					4.8	5.2
		600	165	165					5.9	5.9
3/4	20	150	117	117	169	193	100	125	5.2	6.1
		300	152	152					6.2	6.3
		600	190	191					7.4	7.5
1	25	150	127	127	193	230	125	160	8.2	8.4
		300	165	165					9.3	8.6
		600	216	216					10.4	10.2
1-1/4	32	150	140	138	230	246	160	160	11.5	14.3
		300	178	178					14	14.5
		600	229	229					16.2	16.7
1-1/2	40	150	165	165	246	283	160	180	12.5	15.4
		300	190	191					15.5	15.6
		600	241	241					17.5	17.4
2	50	150	178	178	283	330	180	200	20.3	22.7
		300	216	216					23.4	22.8
		600	292	292					28.3	28.7

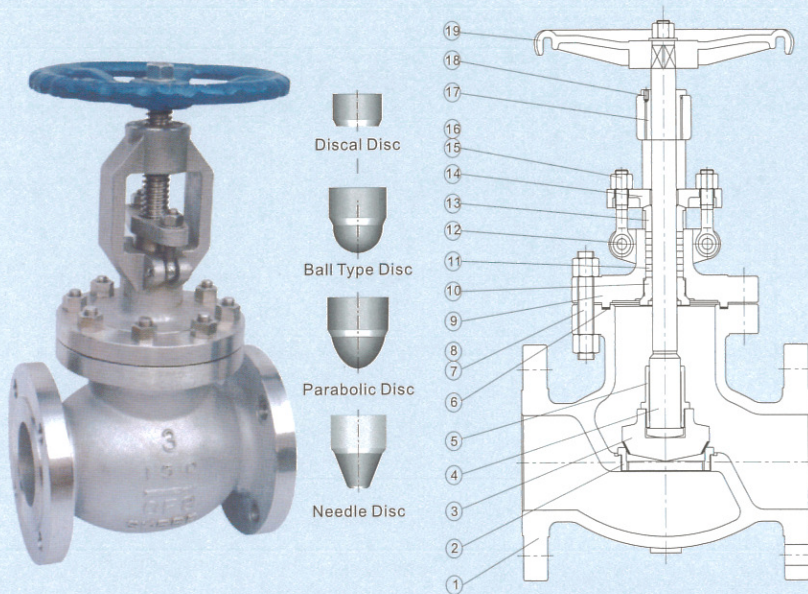
CLASS 900~1500									
SIZE		L1(mm)	L2(mm)	Hopen(mm)	W(mm)	WT (Kg)			
inch	mm					B.B	W.B		
1/2	15	216	216	197	125	6.9	7.2		
3/4	20	229	224	197	125	11.2	11.5		
1	25	254	254	224	160	12.8	15.6		
1-1/4	32	279	279	237	160	16.0	16.2		
1-1/2	40	305	305	276	180	21.0	22.6		
2	50	368	368	320	200	27.1	28.2		

B.B-Bolted Bonnet W.B-Welded Bonnet

Globe valve Series



Cast Steel Globe Valve



Valve Part Name			
1	Body	11	Packing
2	Seat	12	Pin
3	Disc	13	Packing Gland
4	Stem	14	Packing Plate
5	Disc Cover	15	Eyebolt
6	Gasket	16	Nut
7	Nut	17	Yoke Nut
8	Stud	18	Screw
9	Bonnet	19	Handwheel
10	Back Seat		

Design & Manufacture Standard:

- * Design & Manufacture as per BS 1873, ASME B16.34.
- * Connection ends dimension as per ASME B16.5, ASME B16.25.
- * Face to face dimension as per API 16.10.
- * Inspection and test as per ISO 5208, API 598, BS 6755.

Pressure Test

(MPa)

CLASS	Back Seat Test	Shell Test	High Pressure Seal Test	Low Pressure Seal Test
150	3.0	2.2	2.2	0.6
300	7.5	5.5	5.5	
600	15.0	11.0	11.0	
900	22.5	16.5	16.5	
1500	37.5	27.5	27.5	

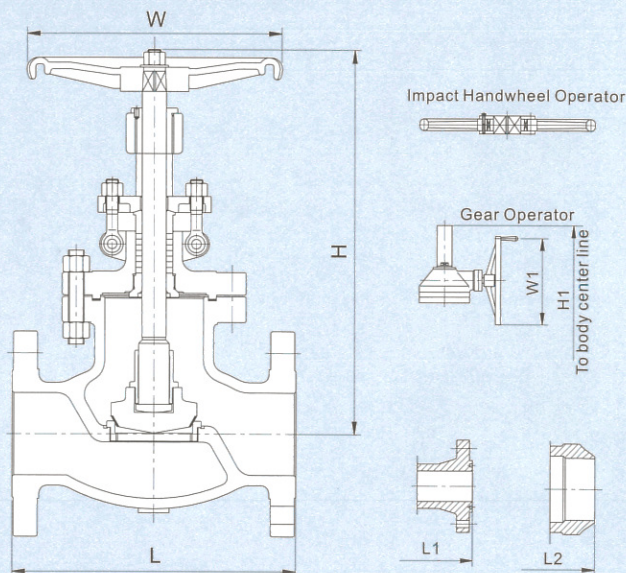
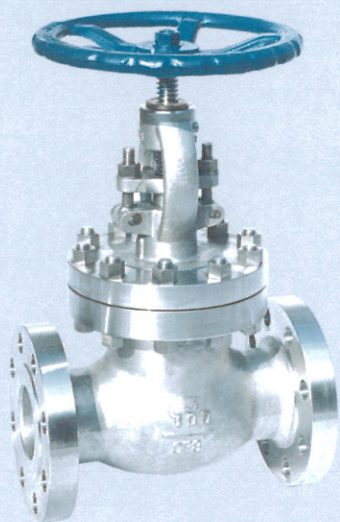
Main Valve Part Material

Valve Part Name	Carbon Steel		Alloy Steel			Stainless Steel				
Body	A216 WCB	A352 LCB	A217 WC6	A217 WC9	A217 C5	A351 CF8	A351 CF8M	A351 CF3	A351 CF3M	CD4MCU
Bonnet	A216 WCB	A352 LCB	A217 WC6	A217 WC9	A217 C5	A351 CF8	A351 CF8M	A351 CF3	A351 CF3M	CD4MCU
Stem	A182 F6a	A182 F304	A182 F304	A182 F304	A182 F304	A182 F304	A182 F316	A182 F304L	A182 F316L	F51
Stud	A193 B7	A320 L7	A193 B16	A193 B16	A193 B8	A193 B8	A193 B8M	A193 B8	A193 B8M	A193 B8M
Nut	A194 2H	A194 4	A194 4	A194 4	A194 8	A194 8	A194 8M	A194 8	A194 8M	A194 8M
Back seat	A182 F6a	A182 F304	A182 F304	A182 F304	A182 F304	A182 F304	A182 F316	A182 F304L	A182 F316L	F51
Packing Bushing	A276 410	A276 304	A276 304	A276 304	A276 304	A276 304	A276 316	A276 304	A276 316	F51
Packing Plate	A216 WCB	A352 LCB	A217 WC6	A217 WC9	A217 C5	A351 CF8	A351 CF8M	A351 CF3	A351 CF3M	CD4MCU

Note: 1. All of valve part materials comply with ASTM standard.

2. Above material is our normal one. if client has special requirement for it, we can choose material as per detailed site condition.

CLASS 150-600 Cast Steel Globe Valve



Main Size and Weight

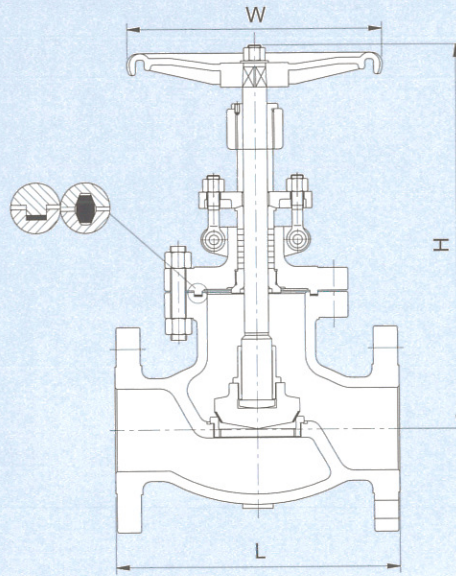
CLASS 150												
SIZE	inch	2	2-1/2	3	4	5	6	8	10	12	14	16
	mm	50	65	80	100	125	150	200	250	300	350	400
L	mm	203	216	241	292	356	406	495	622	698	787	914
L1	mm	216	229	254	305	368	419	508	635	711	800	927
L2	mm	203	216	241	292	356	406	495	622	698	787	914
H	mm	350	362	385	490	455	537	707*	788*	820*	-	-
W	mm	220	250	280	320	320	400	450*	560*	560*	-	-
H1	mm	-	-	-	-	-	-	760	830	890	1400	1648
W1	mm	-	-	-	-	-	-	310	310	460	600	600
T	N.m	31	50	72	115	170	225	427	671	1127	1321	1750
WT(RF)	Kg	21	29	34	54	72	93	185	268	400	650	1113

CLASS 300											
SIZE	inch	2	2-1/2	3	4	5	6	8	10	12	
	mm	50	65	80	100	125	150	200	250	300	
L	mm	267	292	318	356	400	445	559	622	711	
L1	mm	283	308	333	371	416	460	575	638	727	
L2	mm	267	292	318	356	400	445	559	622	711	
H	mm	345	377	405	468	620	708*	777*	935*	906*	
W	mm	220	250	280	320	400	450*	500*	560*	600*	
H1	mm	-	-	-	-	-	836	854	997	1320	
W1	mm	-	-	-	-	-	460	460	460	600	
T	N.m	52	90	137	236	390	556	1003	1962	3465	
WT(RF)	Kg	28	36	50	75	140	200	287	510	720	

CLASS 600										
SIZE	inch	2	2-1/2	3	4	6	8	10	12	
	mm	50	65	80	100	150	200	250	300	
L	mm	292	330	356	432	559	660	787	838	
L1	mm	295	333	359	435	562	664	791	841	
L2	mm	292	330	356	432	559	660	787	838	
H	mm	385	430	475	685*	901*	913*	1060*	1227*	
W	mm	250	280	320	400*	560*	600*	650*	760*	
H1	mm	-	-	-	-	1027	1160	1380	1433	
W1	mm	-	-	-	-	460	460	600	600	
T	N.m	135	230	306	578	1427	2457	4608	8420	
WT(RF)	Kg	32	45	62	139	342	483	870	1067	

*Dimension of Impact Handwheel

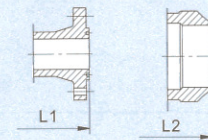
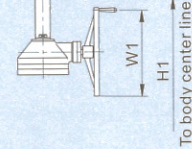
CLASS 900-1500 Cast Steel Globe Valve



Impact Handwheel Operator



Gear Operator

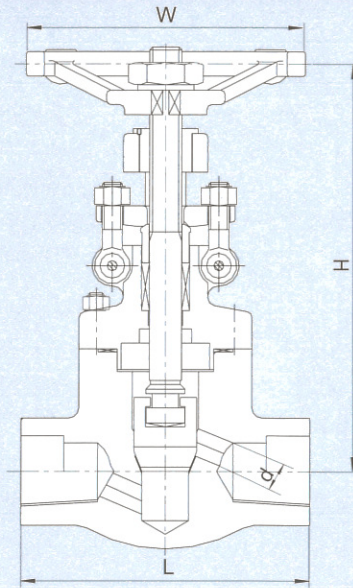
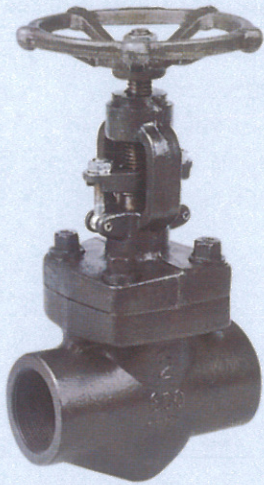


Main Size and Weight

CLASS 900							
SIZE	inch	2	2-1/2	3	4	6	8
	mm	50	65	80	100	150	200
L	mm	368	419	381	457	610	737
L1	mm	371	422	384	460	613	740
L2	mm	368	419	381	457	610	737
H	mm	430	580	675	780	870	980
W	mm	320	320	350	500	500	560
H1	mm	-	-	-	-	1001	1257
W1	mm	-	-	-	-	460	600
T	N.m	153	250	315	673	1787	3557
WT	Kg	58	92	144	225	502	720
CLASS 1500							
SIZE	inch	2	2-1/2	3	4	6	8
	mm	50	65	80	100	150	200
L	mm	368	419	470	546	705	832
L1	mm	371	422	473	549	711	842
L2	mm	368	419	470	546	705	832
H	mm	430	500	705	820	910	1015
W	mm	320	400	450	600	700	800
H1	mm	-	-	-	-	1200	1460
W1	mm	-	-	-	-	460	600
T	N.m	324	440	653	1147	3422	6523
WT(RF)	Kg	66	115	188	292	620	808

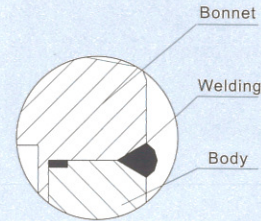
*Dimension of Impact Handwheel

CLASS 150-1500 Forge Steel Globe Valves in NPT & SW Ends



Design & Manufacture Standard:

- *Design Manufacture as per API 602、ASME B16.34.
- * Connection ends dimension as per ASME B1.20.1、ASME B16.11.
- *Inspection and test as per API 598.

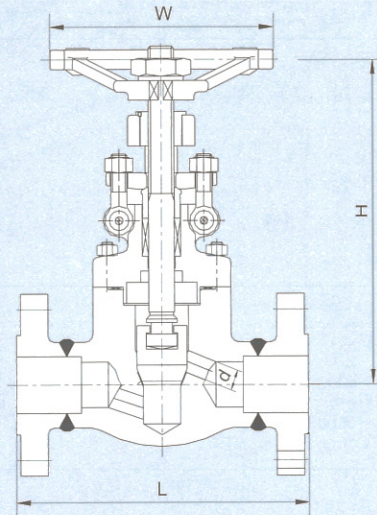


Main Size and Weight

CLASS 150~800								
SIZE				L(mm)	W(mm)	Hopen(mm)	WT(Kg)	
inch		mm					RB	FB
RB	FB	RB	FB					
1/4		8		79	100	153	1.9	
3/8	1/4	10	8	79	100	153	1.9	2.1
1/2	3/8	15	10	79	100	158	1.9	2.1
3/4	1/2	20	15	92	100	192	2.1	2.3
1	3/4	25	20	111	125	252	3.3	3.6
1-1/4	1	32	25	120	160	252	7.5	7.8
1-1/2	1-1/4	40	32	152	160	289	7.5	8.2
2	1-1/2	50	40	172	180	330	11.4	12.0
	2		50	200	240	370		15.0

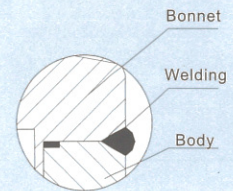
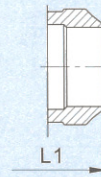
CLASS 900~1500								
SIZE				L (mm)	W(mm)	Hopen (mm)	WT (Kg)	
inch		mm					RB	FB
RB	FB	RB	FB					
1/4		8		111	100	207	2.0	
3/8	1/4	10	8	111	100	207	2.2	2.0
1/2	3/8	15	10	111	100	207	2.4	2.2
3/4	1/2	20	15	111	100	207	3.8	2.4
1	3/4	25	20	130	125	240	4.2	3.8
1-1/4	1	32	25	152	160	258	8.0	4.2
1-1/2	1-1/4	40	32	172	160	290	13.2	8.0
2	1-1/2	50	40	220	180	337	16.8	13.2
	2		50	235	200	354		16.8

CLASS 150-600 Forge Steel Globe Valves in Flange & BW Ends



Design & Manufacture Standard:

- *Design Manufacture as per BS 5352、ASME B16.34.
- *Connection ends dimension as per ASME B16.5、ASME B16.25.
- * Inspection and test as per API 598.



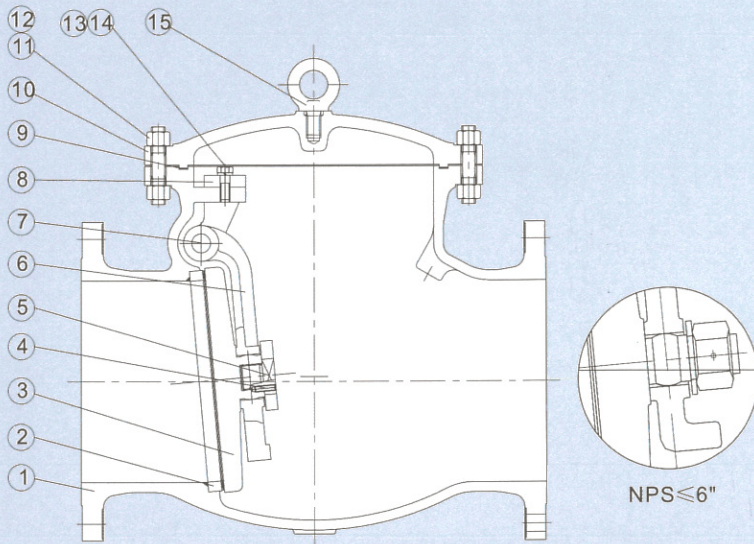
Main Size and Weight

CLASS 150~600										
SIZE		Class	L(mm)	L1(mm)	Hopen(mm)		W(mm)		WT(Kg)	
inch	mm				RB	FB	RB	FB	RB	FB
1/2	15	150	108	108	158	163	100	100	4.5	6.9
		300	152	152					4.8	7.7
		600	165	165					5.6	7.8
3/4	20	150	117	117	163	193	100	125	6.9	9.8
		300	178	178					7.7	11.3
		600	190	190					7.8	12.5
1	25	150	127	127	193	250	125	160	9.8	13.5
		300	203	203					11.1	16.8
		600	216	216					12.5	17.5
1-1/4	32	150	140	140	250	250	160	160	13.5	19.5
		300	216	216					16.8	21.2
		600	229	229					17.0	23.5
1-1/2	40	150	165	165	250	291	160	180	19.5	28.5
		300	229	229					21.2	32.6
		600	241	241					23.5	38.5
2	50	150	203	203	291	312	180	200	28.0	30.3
		300	267	267					32.6	35.0
		600	292	292					38.8	42.2

Check valve Series



Cast Steel Swing Check Valve



Valve Part Name			
1	Body	9	Gasket
2	Seat	10	Bonnet
3	Disc	11	Nut
4	Screw	12	Stud
5	Disc cover	13	Bolt
6	Rocker	14	Washer
7	Pin	15	Lifting Lug
8	Fork Part		

Design & Manufacture Standard:

- * Design & Manufacture as per API 6D、BS1868、ASME B16.34.
- * Connection ends dimension as per ASME B16.5、ASME B16.25、ASME B 16.47.
- * Face to face dimension as per ASME 16.10、API 6D.
- * Inspection and test as per ISO 5208、API 598、BS 6755.

Pressure Test

(MPa)

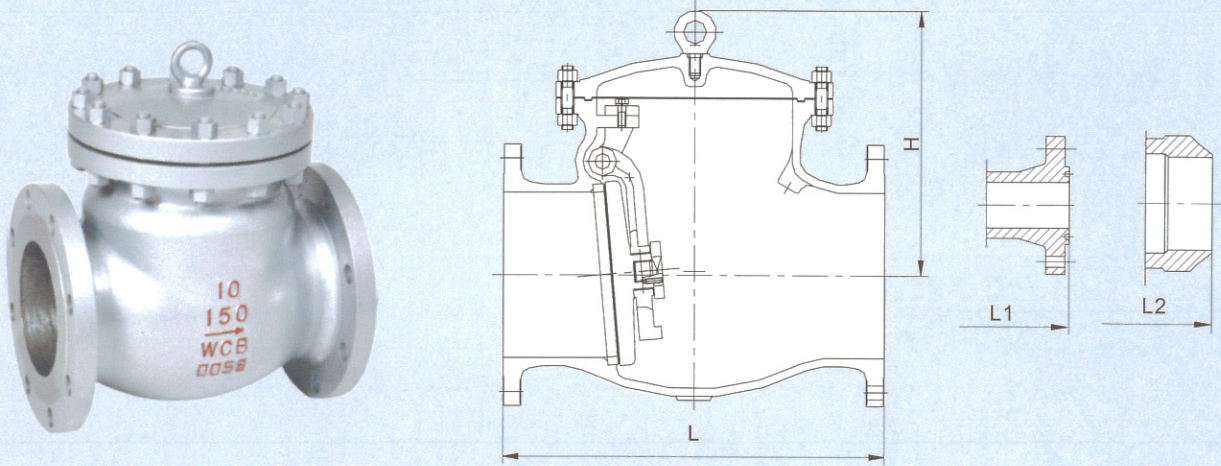
CLASS	Shell Test	High Pressure Seal Test	Low Pressure Seal Test
150	3.0	2.2	0.6
300	7.5	5.5	
600	15.0	11.0	
900	22.5	16.5	
1500	37.5	27.5	
2500	63.0	46.2	

Main Valve Part Material

Valve Part Name	Carbon Steel		Alloy Steel			Stainless Steel				
Body	A216 WCB	A352 LCB	A217 WC6	A217 WC9	A217 C5	A351 CF8	A351 CF8M	A351 CF3	A351 CF3M	CD4MCU
Bonnet	A216 WCB	A352 LCB	A217 WC6	A217 WC9	A217 C5	A351 CF8	A351 CF8M	A351 CF3	A351 CF3M	CD4MCU
Rocker	A216 WCB	A352 LCB	A217 WC6	A217 WC9	A217 C5	A351 CF8	A351 CF8M	A351 CF3	A351 CF3M	CD4MCU
Pin	A270 410	A276 410	A276 410	A276 410	A276 410	A276 304	A276 316	A276 304L	A276 316L	F51
Fork Part	A216 WCB	A352 LCB	A217 WC6	A217 WC9	A217 C5	A351 CF8	A351 CF8M	A351 CF3	A351 CF3M	CD4MCU
Stud	A193 B7	A320 L7	A193 B16	A193 B16	A193 B8	A193 B8	A193 B8M	A193 B8	A193 B8M	A193 B8M
Nut	A194 2H	A194 4	A194 4	A194 4	A194 8	A194 8	A194 8M	A194 8	A194 8M	A194 8M

- Note: 1. All of valve part materials comply with ASTM standard.
 2. Above material is our normal one. if client has special requirement for it, we can choose material as per detailed site condition.

CLASS 150-600 Cast Steel Swing Check Valve



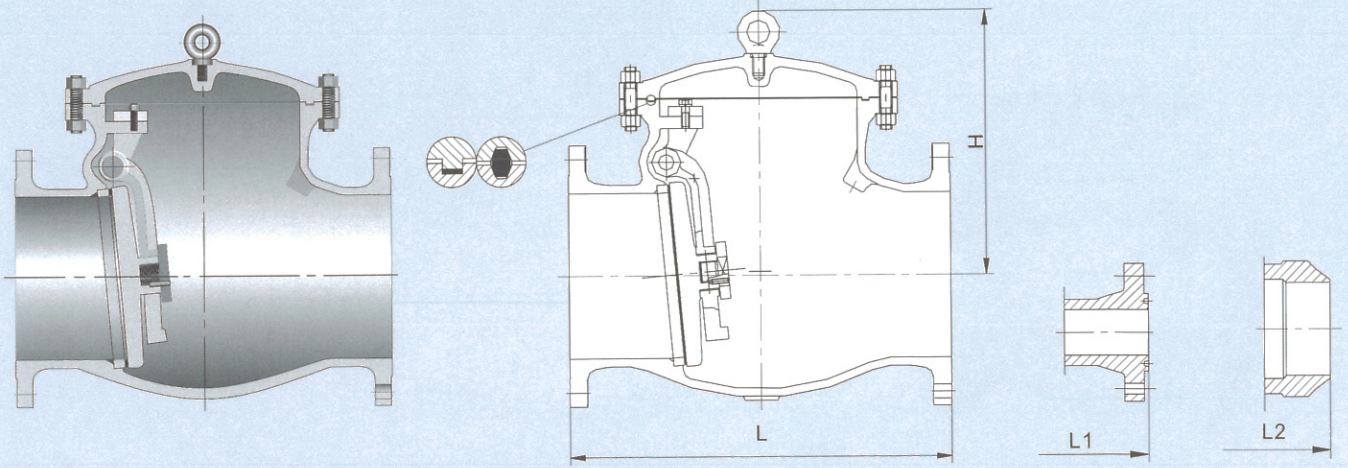
Main Valve Part Material

CLASS 150																
SIZE	inch	2	2-1/2	3	4	5	6	8	10	12	14	16	18	20	24	30
	mm	50	65	80	100	125	150	200	250	300	350	400	450	500	600	750
L	mm	203	216	241	292	330	356	495	622	699	787	864	978	978	1295	1524
L1	mm	216	229	254	305	343	368	508	635	711	800	876	991	991	1308	-
L2	mm	203	216	241	292	330	356	495	622	699	787	864	978	978	1295	1524
H	mm	144	150	181	259	230	303	373	417	478	540	620	690	720	740	1005
WT(RF)	Kg	17	20	25	40	67	93	134	199	305	370	542	750	900	1200	2100

CLASS 300																
SIZE	inch	2	2-1/2	3	4	5	6	8	10	12	14	16	18	20	24	
	mm	50	65	80	100	125	150	200	250	300	350	400	450	500	600	
L	mm	267	292	318	356	400	445	533	622	711	838	864	978	1016	1346	
L1	mm	283	308	333	371	416	460	549	638	727	854	879	994	1035	1368	
L2	mm	267	292	318	356	400	445	533	622	711	838	864	978	1016	1346	
H	mm	167	185	210	281	300	323	399	440	462	571	659	676	742	810	
WT(RF)	Kg	23	37	46	71	100	118	202	296	428	583	754	935	1155	1408	

CLASS 600																
SIZE	inch	2	2-1/2	3	4	5	6	8	10	12	14	16	18	20	24	
	mm	50	65	80	100	125	150	200	250	300	350	400	450	500	600	
L	mm	292	330	356	432	508	559	660	787	838	889	991	1092	1194	1397	
L1	mm	295	333	359	435	511	562	664	791	841	892	994	1095	1200	1407	
L2	mm	292	330	356	432	508	559	660	787	838	889	991	1092	1194	1397	
H	mm	168	215	215	297	330	365	444	500	542	610	765	786	845	940	
WT(RF)	Kg	26	32	49	86	165	252	429	557	670	944	1300	1760	2200	2864	

CLASS 900-1500 Cast Steel Swing Check Valve



Main Size and Weight

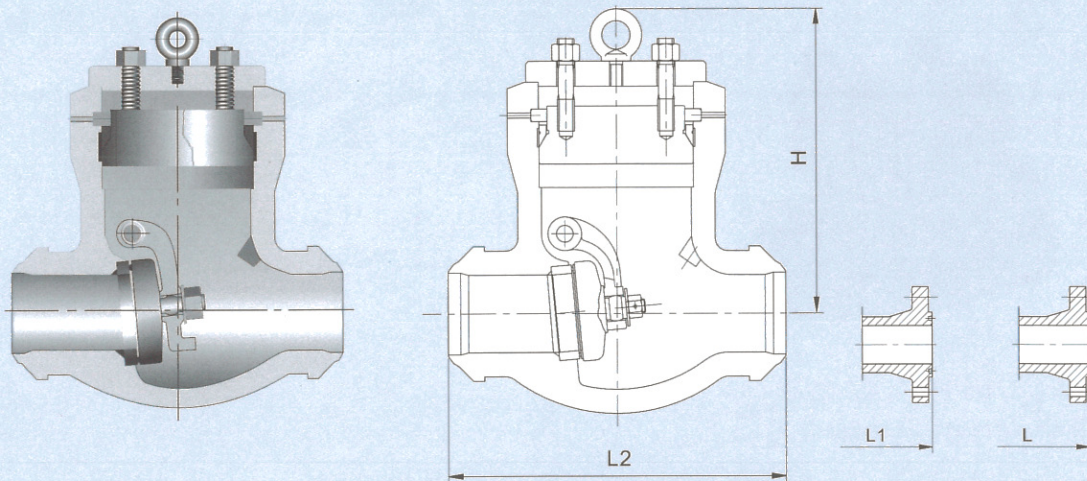
CLASS 900

SIZE	inch	2	2-1/2	3	4	6	8	10	12	14	16
	mm	50	65	80	100	150	200	250	300	350	400
L	mm	368	419	381	457	610	737	838	965	1029	1130
L1	mm	371	422	384	460	613	740	841	968	1038	1140
L2	mm	368	419	381	457	610	737	838	965	1029	1130
H	mm	200	260	285	324	424	522	545	590	640	700
WT(RF)	Kg	58	76	100	140	294	700	724	870	1254	1800

CLASS 1500

SIZE	inch	2	2-1/2	3	4	6	8	10	12	14	16
	mm	50	65	80	100	150	200	250	300	350	400
L	mm	368	419	470	546	705	832	991	1130	1257	1384
L1	mm	371	422	473	549	711	841	1000	1146	1276	1407
L2	mm	368	419	470	546	705	832	991	1130	1257	1384
H	mm	200	270	285	353	470	561	660	750	850	955
WT(RF)	Kg	66	84	123	192	481	760	1058	1440	1745	2500

CLASS 900-2500 Pressure Sealed Swing Check Valve



Main Size and Weight

CLASS 900

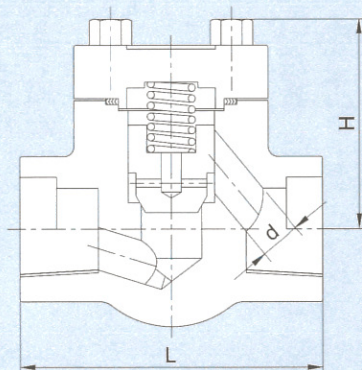
SIZE	inch	2	2-1/2	3	4	6	8	10	12	14	16
	mm	50	65	80	100	150	200	250	300	350	400
L	mm	368	419	381	457	610	737	838	965	1029	1130
L1	mm	371	422	384	460	613	740	841	968	1038	1140
L2	mm	216	254	305	356	508	660	787	914	991	1092
H	mm	215	245	292	318	400	464	517	592	640	700
WT(BW)	Kg	25	35	46	68	170	460	700	1020	1220	1350

CLASS 1500

SIZE	inch	2	2-1/2	3	4	6	8	10	12	14	16
	mm	50	65	80	100	150	200	250	300	350	400
L	mm	368	419	470	546	705	832	991	1130	1257	1384
L1	mm	371	422	473	549	711	841	1000	1146	1276	1407
L2	mm	216	254	305	406	559	711	864	991	1067	1194
H	mm	245	265	300	342	438	534	578	648	700	770
WT(BW)	Kg	26	36	50	80	290	490	750	1110	1415	1605

CLASS 2500

SIZE	inch	2	2-1/2	3	4	6	8	10	12	14	16
	mm	50	65	80	100	150	200	250	300	350	400
L	mm	451	508	578	673	914	1022	1270	1422	-	-
L1	mm	454	514	584	683	927	1038	1292	1445	-	-
L2	mm	279	330	368	457	610	762	914	1041	1118	1245
H	mm	250	280	308	352	440	540	580	660	790	870
WT(BW)	Kg	62	85	100	165	460	900	1300	1800	2450	3200



Design & Manufacture Standard:

* Design & Manufacture as per BS 5352, ASME B16.34. V

* Connection ends dimension as per ASME B1.20.1, ASME B16.11.

* Inspection and test as per API 598.

Main Size and Weight

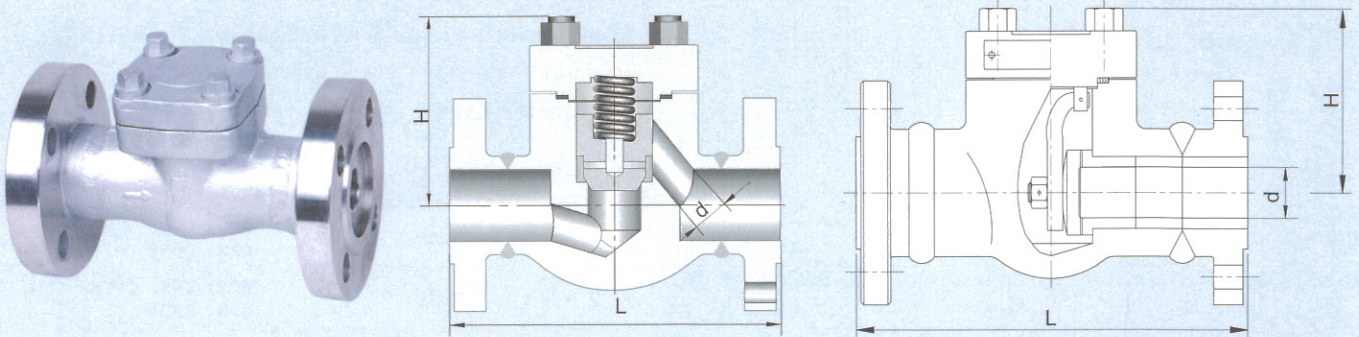
CLASS 150~800

SIZE				L(mm)		H(mm)		WT (Kg)	
inch		mm		Lifting Type	Swing Type	Lifting Type	Swing Type	Lifting Type	Swing Type
RB	FB	RB	FB						
1/4		8		79	79	61	61	1.0	1.0
3/8	1/4	10	8	79	79	61	61	1.1	1.1
1/2	3/8	15	10	79	79	61	61	1.2	1.2
3/4	1/2	20	15	92	92	61	61	1.4	1.3
1	3/4	25	20	111	111	78	78	2.3	1.9
1-1/4	1	32	25	120	120	84	84	3.9	3.4
1-1/2	1-1/4	40	32	152	120	103	101	5.6	4.5
2	1-1/2	50	40	172	140	118	120	8.9	7.3
	2		50	200	170	132	133	12.5	10

CLASS 1500

SIZE				L(mm)		H(mm)		WT (Kg)	
inch		mm		Lifting Type	Swing Type	Lifting Type	Swing Type	Lifting Type	Swing Type
RB	FB	RB	FB						
1/4		8		111	111	79	79	3.0	3.0
3/8	1/4	10	8	111	111	79	79	3.1	3.1
1/2	3/8	15	10	111	111	79	79	3.2	3.2
3/4	1/2	20	15	111	111	79	79	3.4	3.6
1	3/4	25	20	130	120	97	97	4.8	4.3
1-1/4	1	32	25	152	140	104	105	6.9	6.1
1-1/2	1-1/4	40	32	172	140	120	120	10.7	8.8
2	1-1/2	50	40	220	162	139	140	14.6	12.6
	2		50						

CLASS 150-600 Forge Steel Flanged Check Valve



Design & Manufacture Standard:

* Design & Manufacture as per BS 5352、ASME B16.34.

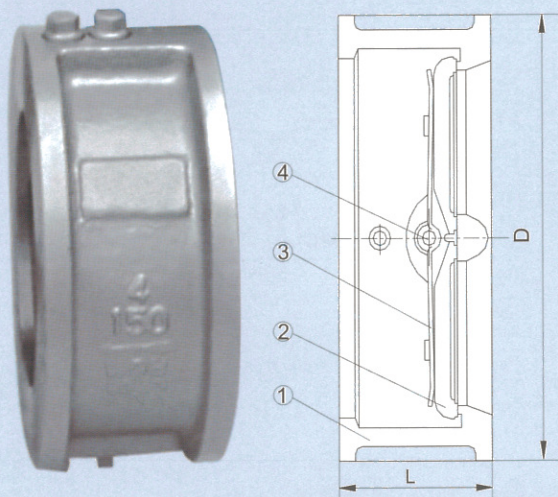
* Connection ends dimension as per ASME B16.5.

* Inspection and test as per API 598.

Main Size and Weight

CLASS 150~600											
SIZE		Class	L(mm)	H(mm)				WT (Kg)			
				Lifting Type		Swing Type		Lifting Type		Swing Type	
inch	mm			RB	FB	RB	FB	RB	FB	RB	FB
1/2	15	150	108					2.6	3.4	2.5	3.3
		300	152	61	61	61	61	2.7	3.7	2.6	3.6
		600	165					3.0	4.0	2.9	4.3
3/4	20	150	117					3.4	4.4	3.3	4.8
		300	178	61	78	61	78	3.7	4.7	3.6	5.1
		600	190					4.0	5.8	4.3	6.2
1	25	150	127					4.4	8.2	4.8	7.0
		300	203	78	84	78	84	4.7	8.8	5.1	7.4
		600	216					5.8	9.5	6.2	7.7
1-1/4	32	150	140					8.2	8.9	7.0	7.5
		300	216	84	103	84	101	8.8	9.6	7.4	7.9
		600	229					9.5	10.1	7.7	9.3
1-1/2	40	150	165					8.9	12.0	7.5	11.3
		300	229	108	118	101	120	9.6	13.7	7.9	11.7
		600	241					10.1	15.6	9.3	13.2
2	50	150	203					12.6	14.3	11.3	13.6
		300	267	118	132	120	133	13.7	17.8	11.7	16.8
		600	292					15.6	24.6	13.2	20.5

CLASS 150-1500 Wafer Dual Plate Check Valve



Design & Manufacture Standard:

- * Design & Manufacture as per ASME B16.34 API 594、API 6D .
- * Connection ends dimension as per ASME B16.5、ASME B16.47.
- * Face to face dimension as per API 594、API 6D.
- * Inspection and test as per API 598.

Part Name		Material
1	Body	WCB、CF8、CF8M、CF3、CF3M
2	Plate	WCB、CF8、CF8M、CF3、CF3M
3	Spring	INCONEL、17-7PH
4	Valve Shaft	F6a、304、316、304L、316L、17-7PH

Main Size and Weight

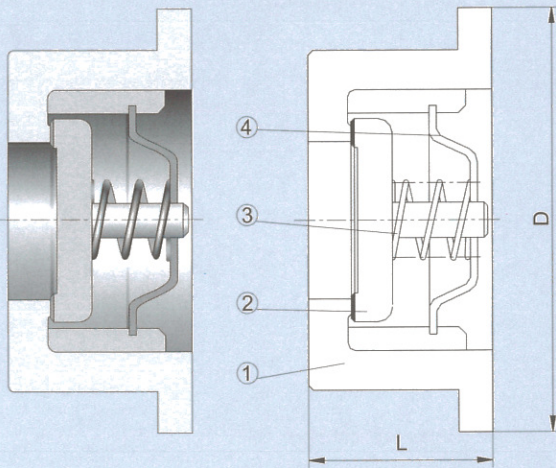
CLASS 150~1500

SIZE	CLASS 150			CLASS 300			CLASS 600			CLASS 900			CLASS 1500		
	L	D	WT	L	D	WT	L	D	WT	L	D	WT	L	D	WT
inch	mm	mm	Kg	mm	mm	Kg	mm	mm	Kg	mm	mm	Kg	mm	mm	Kg
2	60	103	2	60	110	3	60	110	4	70	140	8	70	140	8
2-1/2	67	122	3	67	128	4	67	128	5	83	162	11	83	162	11
3	73	135	4	73	147	6	73	147	8	83	165	14	83	172	19
4	73	173	6	73	179	8	79	191	11	102	204	20	102	207	26
5	86	195	8	86	214	15	105	239	20	110	245	30	110	252	51
6	98	220	13	98	249	18	136	264	26	159	286	42	159	280	68
8	127	277	25	127	305	31	165	318	55	206	356	84	206	350	130
10	146	337	39	146	359	51	213	398	95	241	432	145	248	433	210
12	181	407	54	181	420	77	229	455	140	292	495	220	305	518	384
14	184	448	80	222	483	117	273	490	223	356	518	350	356	576	550
16	191	512	117	232	537	190	305	562	360	384	572	470	384	639	635
18	203	547	138	264	594	200	362	610	395	451	635	605	-	-	-
20	219	604	163	292	652	265	368	680	518	451	695	820	-	-	-
24	222	715	331	318	772	410	438	786	836	495	835	1050	-	-	-
28	305	773	380	-	-	-	-	-	-	-	-	-	-	-	-
30	305	824	425	368	882	660	-	-	-	-	-	-	-	-	-
32	305	878	560	-	-	-	-	-	-	-	-	-	-	-	-

CLASS 150-900 Wafer Lifting Check Valve

Design & Manufacture Standard:

- * Design & Manufacture as per ASME B16.34 API 594、API6D.
- * Connection ends dimension as per ASME B16.5、ASME B16.47.
- * Face to face dimension as per API 594、API 6D.
- * Inspection and test as per API 598.



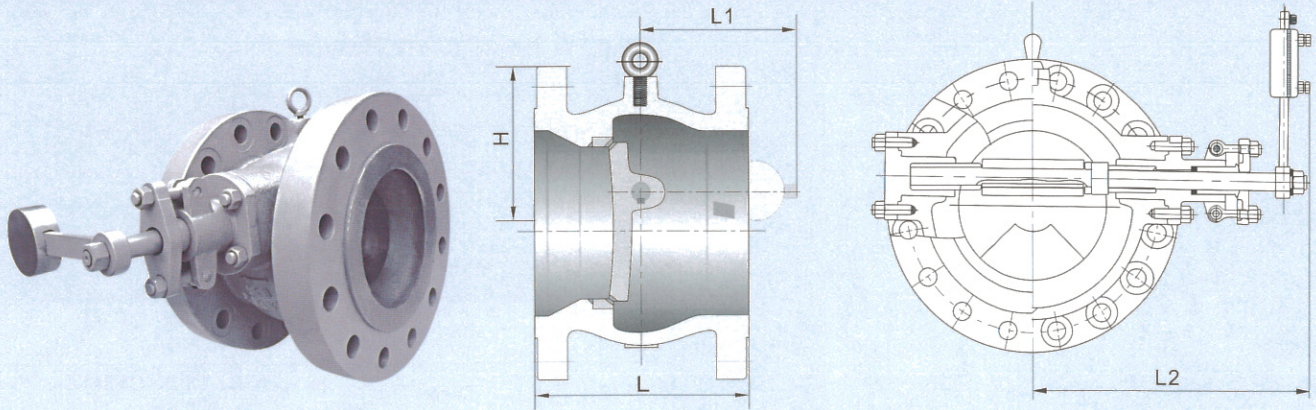
Part Name		Material
1	Body	WCB、CF8、CF8M、CF3、CF3M
2	Disc	WCB、CF8、CF8M、CF3、CF3M
3	Spring	INCONEL、17-7PH
4	Spring base	F6a、304、316、304L、316L、17-7PH

Main Size and Weight

CLASS 150~900

SIZE	CLASS 150			CLASS 300			CLASS 600			CLASS 900		
	L	D	WT	L	D	WT	L	D	WT	L	D	WT
inch	mm	mm	Kg	mm	mm	Kg	mm	mm	Kg	mm	mm	Kg
1/2	25	46	0.28	25	52	0.3	25	52	0.4	25	62	0.6
3/4	31.5	56	0.42	31.5	65	0.46	31.5	65	0.8	31.5	69	0.9
1	35.5	65	0.56	35.5	72	0.6	35.5	72	1.0	35.5	77	1.2
1-1/4	40	74	0.75	40	81	0.8	40	81	1.3	40	87	1.5
1-1/2	45	84	1.3	45	94	1.5	45	94	1.8	45	97	2.0
2	56	103	2.1	56	110	2.4	56	110	2.8	56	140	5.5
2-1/2	63	122	2.8	63	128	3.0	63	128	4	63	162	7.5
3	71	135	3.6	71	147	4.0	71	147	6	71	165	8
4	80	173	4.8	80	179	5.5	80	191	11	80	204	14
5	110	195	12	110	214	13	110	239	25	110	245	27
6	125	220	17	125	249	22	125	264	32	125	286	41
8	160	277	29	160	305	36	160	318	52	160	356	76

Class 150-1500 Non-Slam Check Valve



Design & Manufacture Standard:

* Design & Manufacture as per BS 1868, ASME B16.34.

* Face to face as per manufacturer's standard.

* Connection ends dimension as per ASME B16.5.

* Connection ends dimension as per API 598.

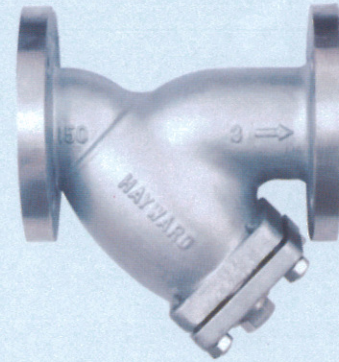
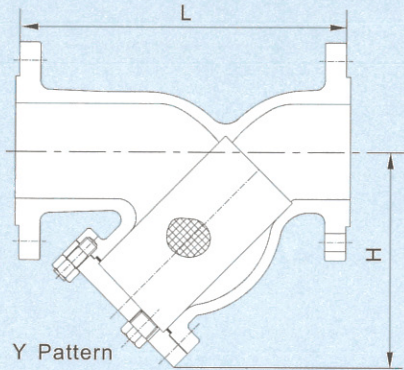
Main Size and Weight

CLASS 150~600

SIZE		CLASS150				CLASS300				CLASS600			
		L	L1	L2	H	L	L1	L2	H	L	L1	L2	H
inch	mm	mm	mm	mm	mm	mm	mm	mm	mm	mm	mm	mm	mm
2	50	114	-	60	90	114	-	68	110	152	-	80	111
2-1/2	65	127	-	80	105	127	-	86	120	170	-	96	128
3	80	140	-	101	121	140	-	100	130	190	-	115	134
4	100	165	-	136	147	165	-	120	147	229	-	136	147
6	125	280	320	330	170	280	370	350	175	280	410	393	189
8	200	305	360	360	210	305	400	385	220	318	445	450	234
10	250	330	410	410	245	330	440	450	257	330	500	498	275
12	300	356	460	460	280	356	500	500	305	356	565	550	317
14	350	381	520	520	320	381	560	550	340	381	630	610	360
16	400	406	600	585	365	406	635	610	385	406	700	686	400
18	450	432	685	660	420	432	700	690	430	432	785	780	450
20	500	457	780	735	470	457	800	775	475	457	870	870	490
24	600	508	880	790	510	508	810	880	525	508	990	970	540

CLASS 900~1500

SIZE		CLASS 900				CLASS 1500			
		L	L1	L2	H	L	L1	L2	H
inch	mm	mm	mm	mm	mm	mm	mm	mm	mm
2	50	203	-	100	138	203	-	148	152
2-1/2	65	224	-	120	158	224	-	171	180
3	80	241	-	145	174	241	-	208	205
4	100	260	-	175	190	279	-	238	235
6	125	323	430	430	220	343	460	460	260
8	200	450	460	490	260	470	500	530	300
10	250	500	520	548	300	521	570	588	340
12	300	545	600	585	335	585	660	625	385
14	350	608	690	675	386	648	765	705	440
16	400	670	780	730	448	711	875	770	490
18	450	725	895	800	496	775	980	840	545
20	500	776	985	900	554	826	1115	920	595
24	600	877	1045	1115	596	927	1246	1145	650



Design & Manufacture Standard:

* Design & Manufacture as per ASME B16.34.

* Connection ends dimension as per ASME B16.5, B16.47.

* Face to face dimension as per manufacturer's standard.

* Inspection and test as per API 598.

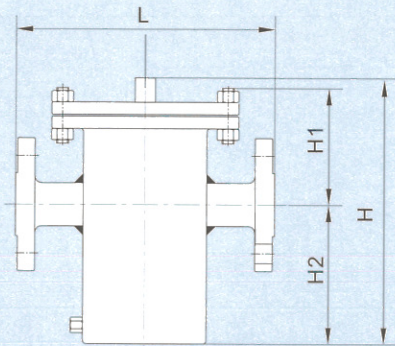
Main Size and Weight

CLASS 150~300

SIZE	inch	1/2	3/4	1	1-1/2	2	2-1/2	3	4	6	8	
	mm	15	20	25	40	50	65	80	100	150	200	
L	mm	150	150	160	200	230	270	290	310	430	500	
H	mm	70	70	95	135	165	180	189	235	345	410	
WT	CLASS 150	Kg	1.8	3	6	8	10	13	15	26	53	76
	CLASS 300	kg	3	5	8	10	13	20	40	60	83	112

CLASS 600

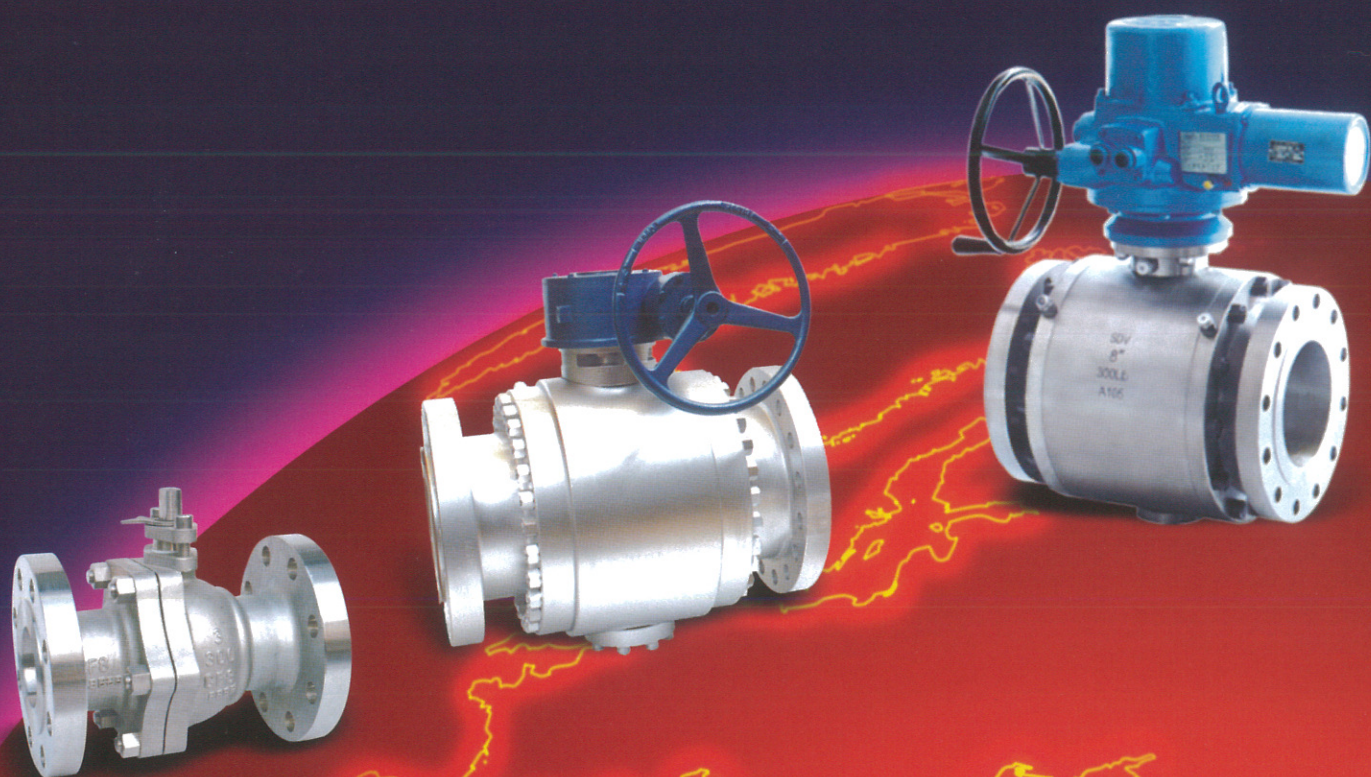
SIZE	inch	1/2	3/4	1	1-1/2	2	2-1/2	3	4	6	8
	mm	15	20	25	40	50	65	80	100	150	200
L	mm	160	160	175	230	250	290	310	350	480	560
H	mm	80	80	110	150	180	195	200	255	370	430
WT	Kg	2.5	5	10	12	15	25	50	75	113	155



CLASS 150~300

SIZE	inch	1	1-1/2	2	2-1/2	3	4	6	8	
	mm	25	40	50	65	80	100	150	200	
L	mm	215	270	270	330	340	430	500	560	
H	mm	470	560	560	710	790	820	-	-	
H1	mm	105	130	130	145	150	175	210	260	
H2	mm	165	175	175	210	255	300	425	525	
WT	CLASS 150	kg	6	8	10	14	16	27	55	78
	CLASS 300	kg	8	10	14	20	38	55	90	120

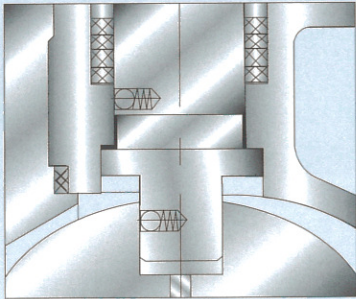
Ball valve Series



BALL VALVES

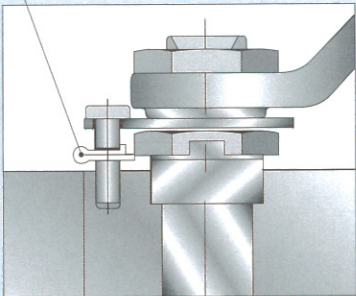
Type	Design/ Manufacture Standard	Ends Standard	Inspection Standard	Size & Class	Operator	Body Material	Trim Material	Seat Seal Material	Bolting Material
2PC Body Floating Ball Valve in Cast Steel-series	ASME B16.34	ASME B16.5	API 6D ISO 5208 BS 6755 API 598	1/2"~8" CLASS 150~300	Lever Gear Electric actuator Pneumatic actuator	A216 WCB A352 LCB A351 CF8 A351 CF8M A351 CF3 A351 CF3M	CARBON STEEL+ENP A182 F6a A182 F304 A182 F316 A182 F304L A182 F316L A182 F51	NYLON PEEK PTFE	A193 B7 A194 2H A193 B7M A194 2HM A320 L7 A194 4 A193 B8 A194 8 A193 B8M A194 8M A193 B16 A194 4 A320 L7M A194 7M
1PC Body Floating Ball Valve in Cast Steel-series				1/2"~8" CLASS 150~300	Lever				
2PC Body Floating Ball Valve in Forge Steel-series				1"~8" CLASS 150 1/2"~8" CLASS 300 1"~6" CLASS 600 3/4"~2" CLASS 900 3/4"~2" CLASS 1500	A105 A350 LF2 A182 F304 A182 F316 A182 F304L A182 F316L A182 F51				
2PC Body Trunnion Moun- -ted Ball Valve in Cast Steel-series				2"~14" CLASS 150~600	A216 WCB A352 LCB A351 CF8 A351 CF8M A351 CF3 A351 CF3M				
3PC Body Trunnion Moun- -ted Ball Valve in Cast Steel-series				14"~32" CLASS 150~600	CARBON STEEL+ENP A182 F6a A182 F304 A182 F316 A182 F304L A182 F316L A182 F51				
3PC Body Trunnion Moun- -ted Ball Valve in Forge Steel-series				2"~32" CLASS 150~600 2"~24" CLASS 900 2"~16" CLASS 1500 2"~12" CLASS 2500		Lever Gear Electric actuator Pneumatic actuator			
Three-Way Ball Valve in Cast Steel-series				1/2"~12" CLASS 150~300		A216 WCB A352 LCB A351 CF8 A351 CF8M A351 CF3 A351 CF3M			
Top Entry Ball Valve in Cast Steel-series				2"~12" CLASS 600 2"~12" CLASS 900 2"~12" CLASS 1500	A216 WCB A352 LCB A351 CF8 A351 CF8M A351 CF3 A351 CF3M				
Fully Welded Ball Valve- Series				2"~12" CLASS 600 2"~24" CLASS 900 2"~16" CLASS 1500	A105 A350 LF2 A182 F304 A182 F316 A182 F304L A182 F316L A182 F51				

Brief Introduction for Floating Ball Valve



Stem in proof-blow out design, when pressure is increased, stem will not blow out.

Open
locked



Locked and limited fitting

一、 Usage

Floating ball valve mainly is used in transportation of oil, natural gas, and also to be medium controller in chemical, metallurgy, paper making, shipbuilding and food industries etc. Completed with pneumatic or electric actuator, the valve also can be controlled by long-distance to ensure personal safety.

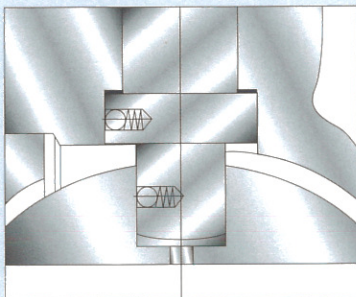
二、 Characters

1、 Locking device. To prevent from operating incorrectly, it is very necessary to complete valve with padlock, especially for those valves fitted out-door or valves which is unallowable to be opened/closed.

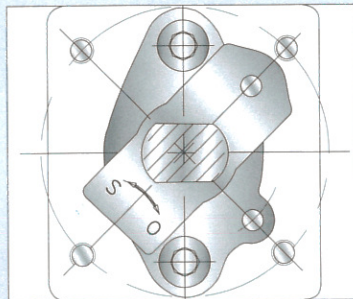
2、 Blow-out proof stem. Stem with converse seal in entry construction, from bottom to prevent from accident caused by the cavity pressure increased singularly. In addition, such blow-out proof design enhances its stem seal property.

3、 Fire safe Design. In case of fire, damaged soft seal ring will result in leakage on valve and it has possibility to enlarge the fire. So to avoid accident, we adopt double sealing system, first soft seal, second metal seal. Even though soft seal damaged, the seal will be formed once again depending on the medium strength between metal seat and ball, to block leakage.

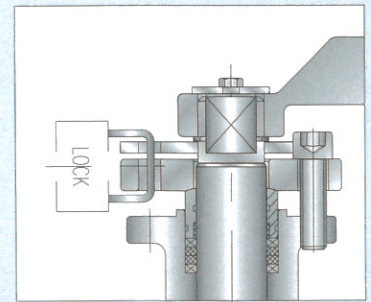
4、 Anti-static design.



Reducing static from body, ball and stem

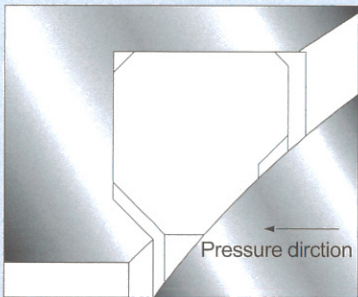
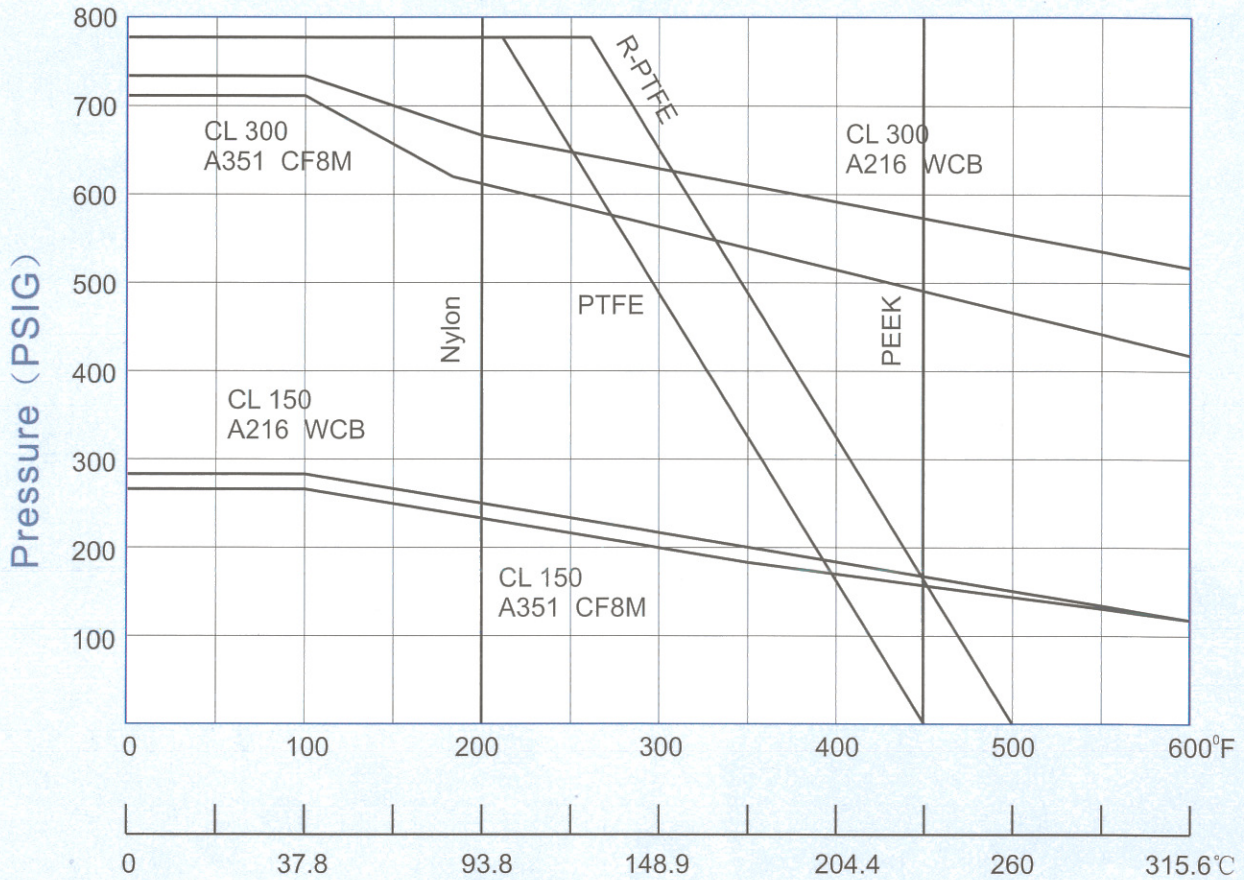


Top flange as per ISO 5211 STD.

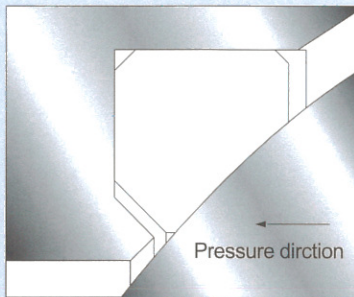


With padlock

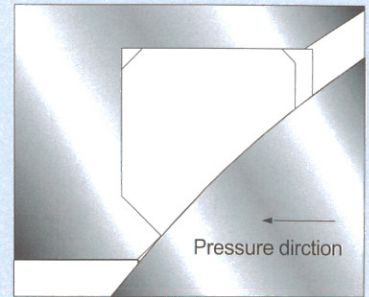
Graph for pressure & temperature



When in normal pressure, revertible and flexible lip has a little distortion under pressure to make ball touch with partial seat, to assure the perfect seal property when in low pressure.



In high pressure, ball contacts with seat entirely, and supported area on seat will be enlarged so that seat can bear much higher pressure.



Assisting seat lug boss to resistant fire.

Floating Ball Valve

Design/manufacture as per: BS 5351、API 6D、API 608

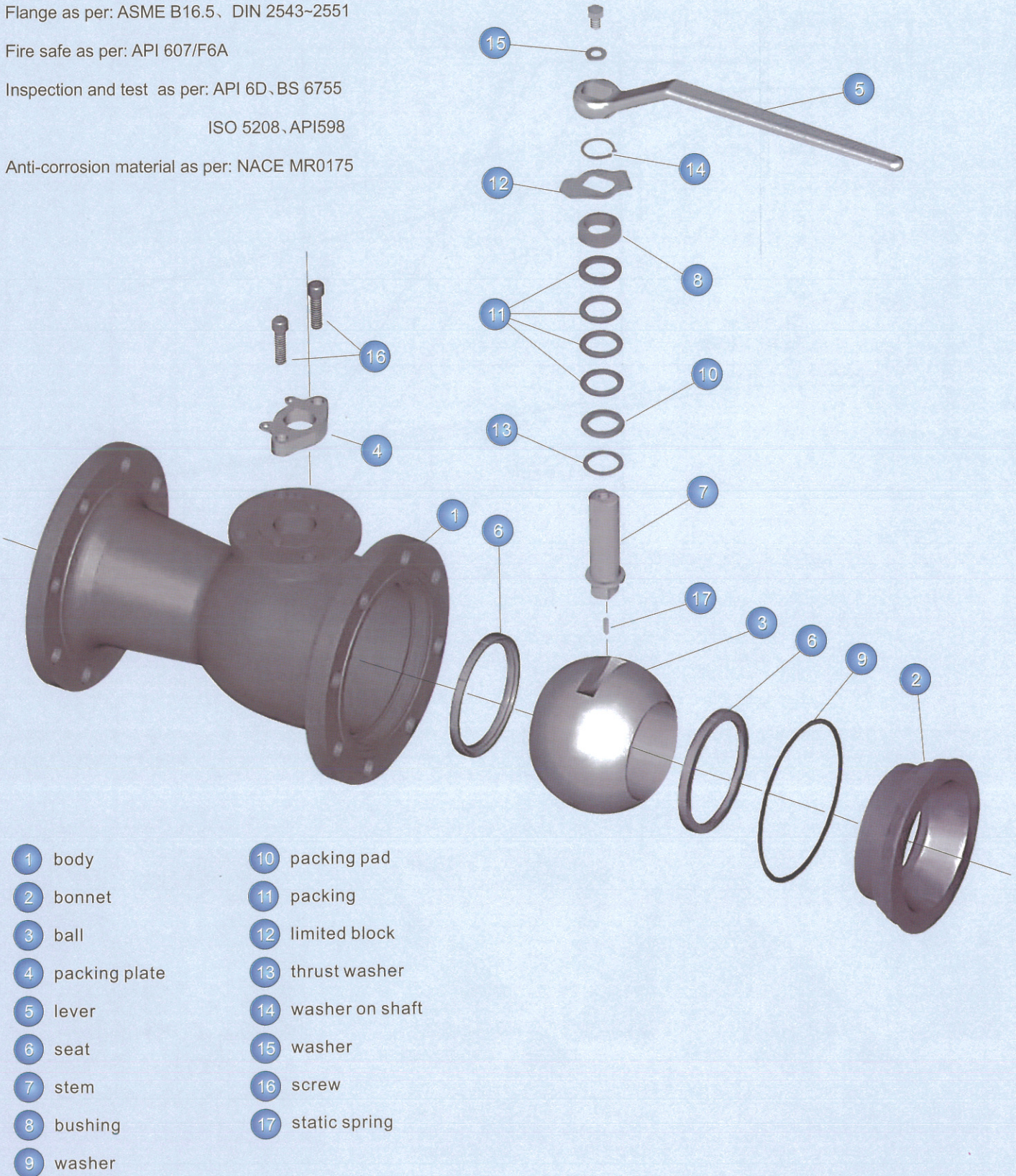
Flange as per: ASME B16.5、DIN 2543-2551

Fire safe as per: API 607/F6A

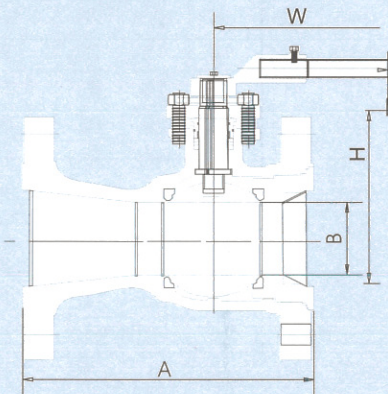
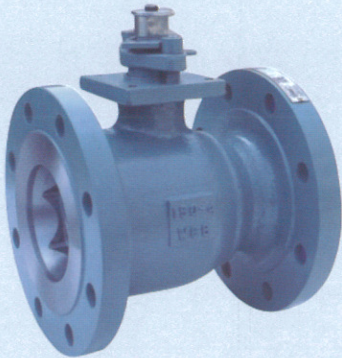
Inspection and test as per: API 6D、BS 6755

ISO 5208、API598

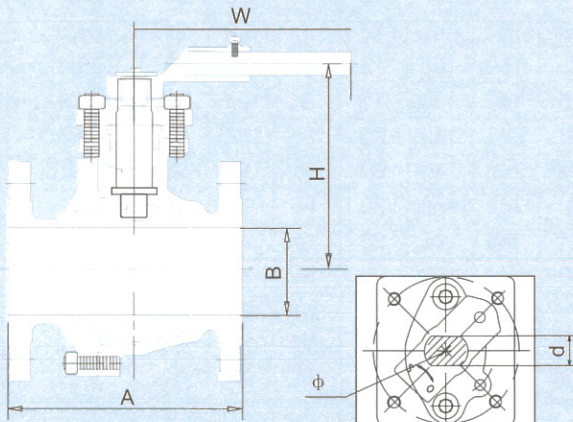
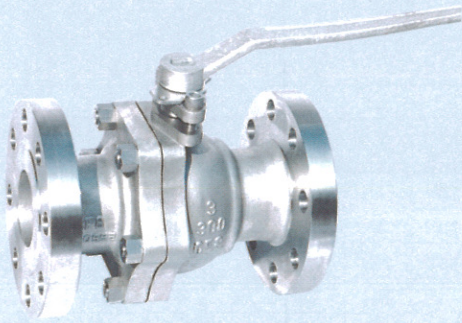
Anti-corrosion material as per: NACE MR0175



- | | |
|-----------------|--------------------|
| 1 body | 10 packing pad |
| 2 bonnet | 11 packing |
| 3 ball | 12 limited block |
| 4 packing plate | 13 thrust washer |
| 5 lever | 14 washer on shaft |
| 6 seat | 15 washer |
| 7 stem | 16 screw |
| 8 bushing | 17 static spring |
| 9 washer | |



2PC body floating ball valve in cast steel



Main size and weight

CLASS 150

NPS inch	A	B	W	H	WT	T
	mm	mm	mm	mm	Kg	N.m
3/4x1/2	117	13	180	84	2.9	8
1x3/4	127	19	180	87	4	10
1 1/2x1 1/4	165	32	220	102	6.8	32
2x1 1/2	178	38	242	137	9.2	40
3x2 1/2	203	60	242	167	15.8	80
4x3	229	76	350	205	30	90
6x4	267	100	460	220	53.5	130
8x6	292	144	550	313	82	550

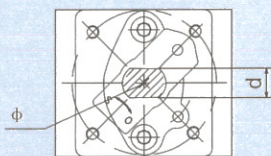
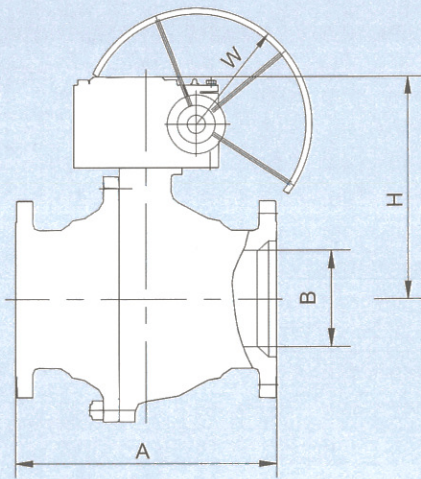
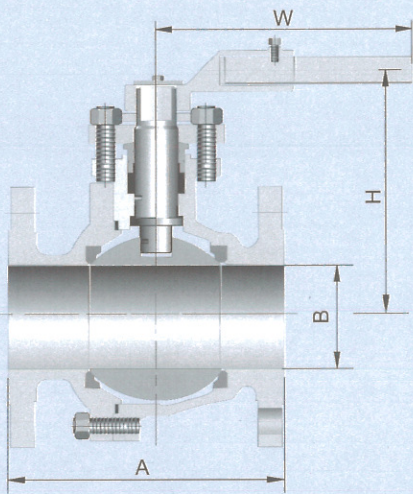
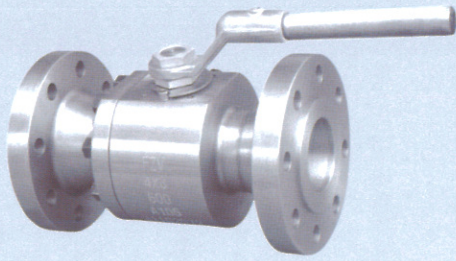
CLASS 300

NPS inch	A	B	W	H	WT	T
	mm	mm	mm	mm	Kg	N.m
3/4x1/2	152	13	180	84	4	12
1x3/4	165	19	180	87	5	18
1 1/2x1 1/4	191	32	220	102	10	35
2x1 1/2	216	38	242	137	11.2	65
3x2 1/2	283	60	242	167	23	92
4x3	305	76	350	205	40	120
6x4	403	100	460	220	82	240
8x6	419	144	550	313	125	930

CLASS 150

NPS inch	A	B	W	H	φ	d	WT	T	ISO Flange
	mm	mm	mm	mm	mm	mm	Kg	N.m	
1/2	108	15	150	90	12	8	2.5	6	F03
3/4x1/2	117	15	150	90	12	8	3.1	6	F03
3/4	117	19	150	90	12	8	3.2	9	F03
1x3/4	127	19	150	90	12	8	4.8	9	F03
1	127	25	150	100	12	8	5.6	20	F04
1 1/2x1	165	25	150	100	12	8	7.0	20	F04
1 1/2	165	38	242	140	20	14	7.2	55	F07
2x1 1x2	178	38	242	140	20	14	9.7	55	F07
2	178	50	242	160	20	14	9.8	60	F07
2 1/2	191	64	242	170	20	14	16	100	F07
3x2	203	50	242	160	20	14	18	60	F07
3	203	76	350	205	30	20	20	110	F10
4x3	229	76	350	205	30	20	35	110	F10
4	229	100	460	225	30	20	35.2	140	F10
6x4	394	100	460	225	30	20	60	140	F10
6	394	152	750	320	40	30	96	600	F12
8x6	457	152	750	320	40	30	120	600	F12
8	457	204	900	370	50	36	165	1100	F14

2PC Body Floating Ball Valve in Cast Steel-Series



Main size and weight

CLASS 300

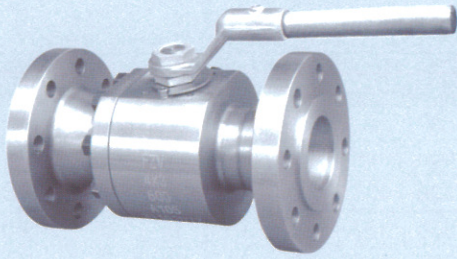
NPS inch	A	B	W	H	φ	d	WT	T	ISO Flange
	mm	mm	mm	mm	mm	mm	Kg	N.m	
1/2	140	15	150	90	12	8	2.6	9	F03
3/4x1/2	152	15	150	90	12	8	3.5	9	F03
3/4	152	19	150	90	12	8	3.8	14	F03
1x3/4	165	19	150	90	12	8	5.6	14	F03
1	165	25	150	100	12	8	6	27	F04
1 1/2x1	191	25	150	100	12	8	10.2	27	F04
1 1/2	191	38	242	140	20	14	10.5	70	F07
2x1 1/2	216	38	242	140	20	14	15	70	F07
2	216	50	242	165	20	14	16	80	F07
2 1/2	241	64	242	170	20	14	28	95	F07
3x2	283	50	242	165	20	14	31.2	80	F07
3	283	76	350	205	30	20	36	120	F10
4x3	305	76	350	205	30	20	57	120	F10
4	305	100	460	225	30	20	60	240	F10
6x4	403	100	460	225	30	20	83	240	F10
6	403	152	750	320	40	30	118	950	F12
8x6	502	152	750	320	40	30	191	950	F12
8	502	204	600	415	50	36	236	2100	F12

CLASS 600

NPS inch	A	B	W	H	φ	d	WT	T	ISO Flange
	mm	mm	mm	mm	mm	mm	Kg	N.m	
1/2	165	13	150	90	12	8	2.8	16	F03
3/4x1/2	191	13	150	90	12	8	4	16	F03
3/4	191	19	150	90	12	8	5.3	21	F03
1x3/4	216	19	150	90	12	8	6.2	21	F03
1	216	25	150	100	12	8	7	45	F04
1 1/2x1	241	25	150	100	12	8	12.5	45	F04
1 1/2	241	38	242	140	20	14	13.6	96	F07
2x1 1/2	292	38	242	140	20	14	18.2	96	F07
2	292	50	242	160	20	14	19	130	F07
2 1/2	330	64	350	195	30	14	34	150	F10
3x2	356	50	242	160	20	14	35	130	F07
3	356	76	350	210	30	20	45	200	F07
4	432	100	850	280	40	30	76	370	F12
6x4	559	100	850	280	40	30	106	370	F12

* Gear operated

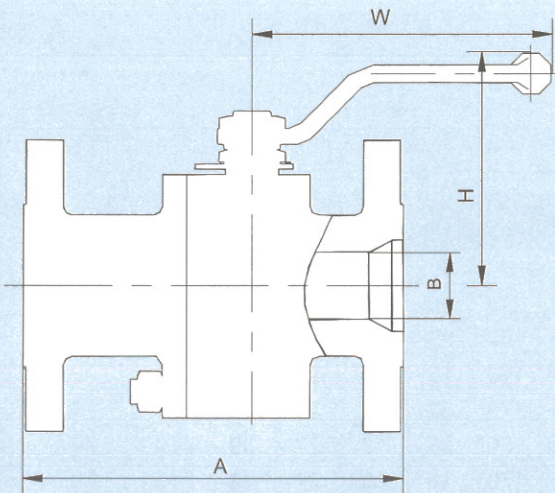
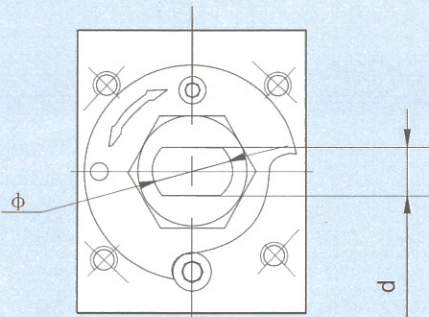
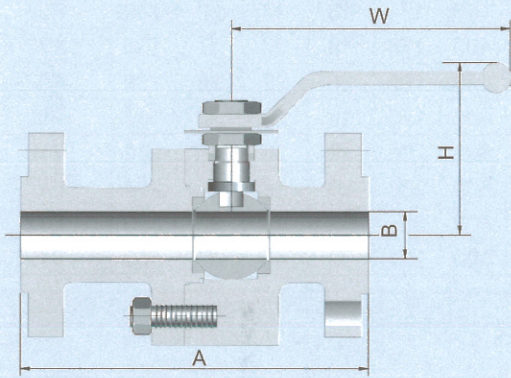
2PC Body Floating Ball Valve in Forge Steel-Series



Main size and weight

CLASS 150

NPS inch	A	B	W	H	d	ϕ	WT	T	ISO Flange
	mm	mm	mm	mm	mm	mm	Kg	N.m	
1	127	25	260	110	11	16	6	20	F03
1 1/4x1	140	25	260	110	11	16	8	20	F03
1 1/2	165	38	330	160	14	22	12	55	F07
2x1 1/2	178	38	330	160	14	22	13	55	F07
2	178	50	330	170	14	22	15	60	F07
2 1/2x2	191	50	330	170	14	22	17	60	F07
2 1/2	191	62	330	180	16	26	19	100	F07
3x2	203	50	330	170	14	22	20	60	F07
3	203	76	400	190	18	27	22	120	F07
4x3	229	76	400	190	18	27	42	120	F07
4	229	100	400	224	28	36	46	140	F10
6x4	394	100	400	224	28	36	80	140	F10
6	394	150	500	260	30	40	110	600	F12
8	457	201	600	320	34	50	175	1200	F14



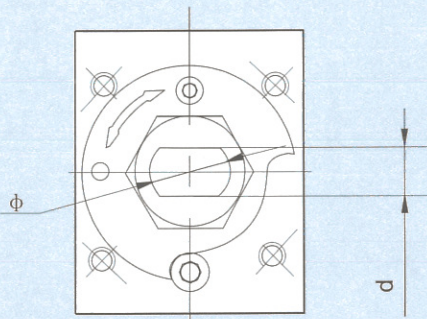
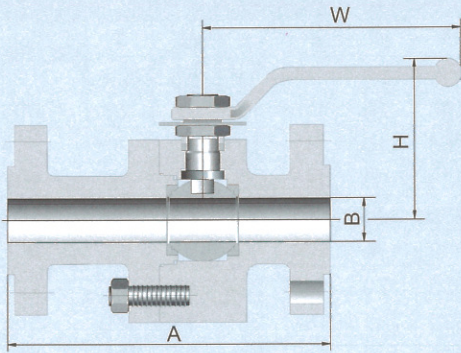
CLASS 300

NPS inch	A	B	W	H	d	ϕ	WT	T	ISO Flange
	mm	mm	mm	mm	mm	mm	Kg	N.m	
1/2x3/8	140	13	160	62	7	10	5	10	/
1x3/4	165	19	160	90	8	12	8	16	/
1	165	25	250	120	11	16	10	27	F04
1 1/4x1	178	25	250	120	11	16	11	27	F04
1 1/2	191	38	330	160	14	22	18	70	F07
2x1 1/2	216	38	330	160	14	22	19	70	F07
2	216	50	330	171	14	22	22	80	F07
2 1/2x2	241	50	330	171	14	22	23	80	F07
2 1/2	241	62	380	185	16	24	28	95	F07
3x2	283	50	330	171	14	22	30	80	F07
3	283	76	400	190	18	27	38	120	F07
4x3	305	76	400	190	18	27	52	120	F07
4	305	100	400	224	28	36	78	240	F10
6x4	403	100	400	224	28	36	100	240	F10
6	403	150	600	260	30	40	150	700	F12
8x6	502	150	600	260	30	40	180	700	F12

Main size and weight

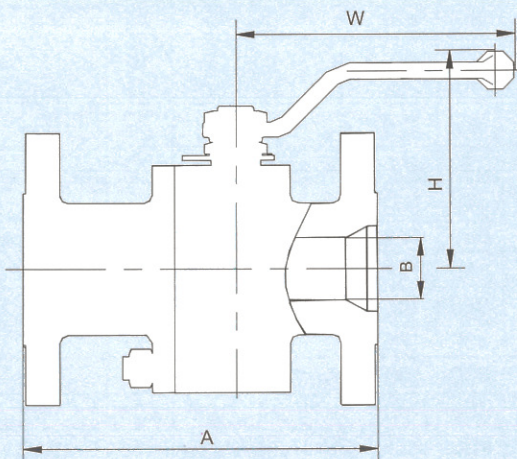
CLASS 600

NPS inch	A	B	W	H	d	ϕ	WT	T	ISO Flange
	mm	mm	mm	mm	mm	mm	Kg	N.m	
1	216	25	330	137	12	18	10	45	F04
1 1/4x1	229	25	330	137	12	18	14	45	F04
1 1/2	241	38	330	150	16	24	18	96	F07
2x1 1/2	292	38	330	150	16	24	20	96	F07
2	292	50	400	175	18	27	22	130	F07
2 1/2x2	330	50	400	175	18	27	27	130	F07
2 1/2	330	62	400	195	20	32	28	150	F07
3x2	356	50	400	175	18	27	33	130	F07
3	356	76	600	208	28	36	40	200	F10
4x3	432	76	600	208	28	36	75	200	F10
4	432	100	600	254	32	48	80	360	F12
6x4	559	100	600	254	32	48	155	360	F12



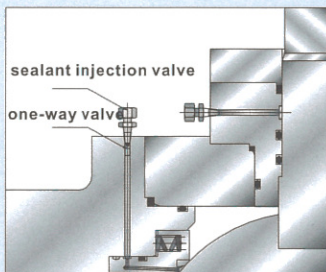
CLASS 900

NPS inch	A	B	W	H	d	ϕ	WT	T	ISO Flange
	mm	mm	mm	mm	mm	mm	Kg	N.m	
3/4	229	19	275	110	14	20	14	35	/
1	254	25	300	120	16	22	17	70	F05
1 1/4	280	32	330	130	18	24	23	90	F05
1 1/2	305	38	350	140	18	26	28	140	F07
2x1 1/2	368	38	350	140	18	26	32	140	F07
2	368	50	400	175	18	27	40	200	F07

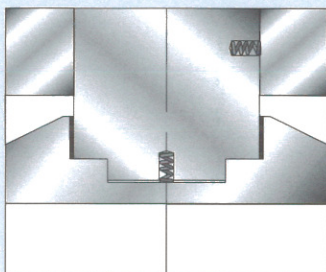


CLASS 1500

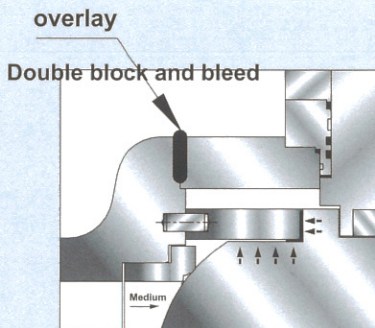
NPS inch	A	W	H	B	d	ϕ	WT	T	ISO Flange
	mm	mm	mm	mm	mm	mm	Kg	N.m	
3/4	229	330	137	19	12	18	15	45	/
1	254	400	150	25	16	22	18	120	F05
1 1/4	280	400	170	32	18	24	25	260	F07
1 1/2	305	400	170	38	19	27	30	240	F07
2x1 1/2	368	400	170	38	19	27	32	240	F07
2	368	450	185	50	22	30	36	400	F10



On seat and stem, there is secondary injection sealing. When leakage, inject to cavity peremptorily.



Reducing static electricity from ball/stem/body.



Fixed plate supports ball and bears medium strength. Stem only needs to transfer torque.

Design/Manufacture & Inspection STD:

- *Design/manufacture as per API 6D、ASME B16.34、API 608
- *Flange as per ASME B16.5、DIN 2543~2551
- *Fire safe as per API 607/F6A
- *Inspection and test as per API 6D、BS 6755、ISO 5208、API 598
- *Anti-corrosion material as per NACE MRO175

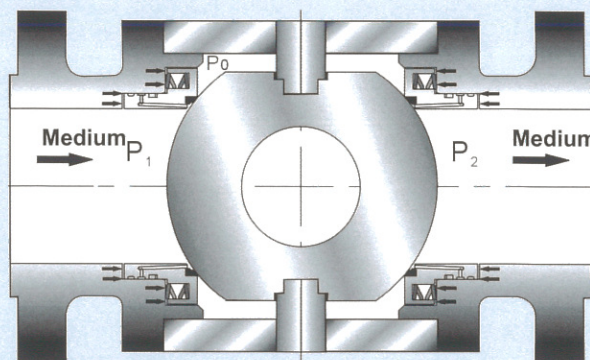
Brief Introduction for Trunnion Ball Valve:

一、 Usage

Mainly it is used in transportation of oil ,natural gas ,and also to be medium controller in chemical ,metallurgy ,paper making ,shipbuilding and food Industries etc. Completed with pneumatic or electric actuator, the valve also can be controlled by long-distance to ensure personal safety.

二、 Characters

- 1、 Locking device and Manual/Gear Operator. To avoid operating by mistake, valve can be with padlock fitting.
- 2、 Double block and bleed .In close position, cavity is through with atmosphere or empty medium.Medium flowage on both ends of cavity is blocked.
- 3、 Anti-static design.
- 4、 Fire safe design.
- 5、 Sealant injection system on seat and stem can resistant fire.



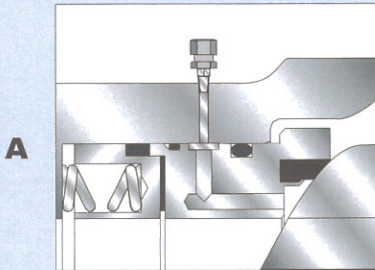
$$P_0 < P_2$$

$$P_0 < P_1 \quad (\text{cavity pressure is atmospheric pressure})$$

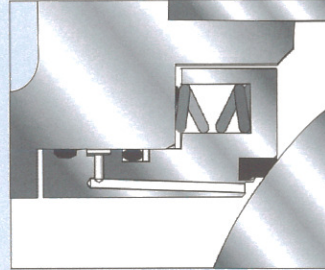
After valve closed cavity is through with atmosphere or empty medium,medium flowage on both ends of cavity is blocked.

Trunnion Mounted Ball Valve

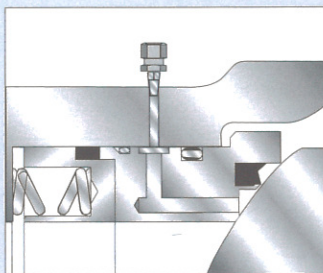
SDV sketch maps for two kinds of fire safe on seat



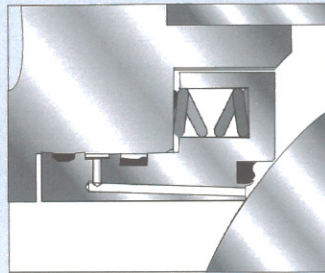
Ball and seat are sealed under pressure, and PTFE gasket of secondary seat is impacted. Meanwhile, graphite gasket of secondary seat is loosened, so that seat can remove perfectly.



Ball and seat is sealed under normal pressure

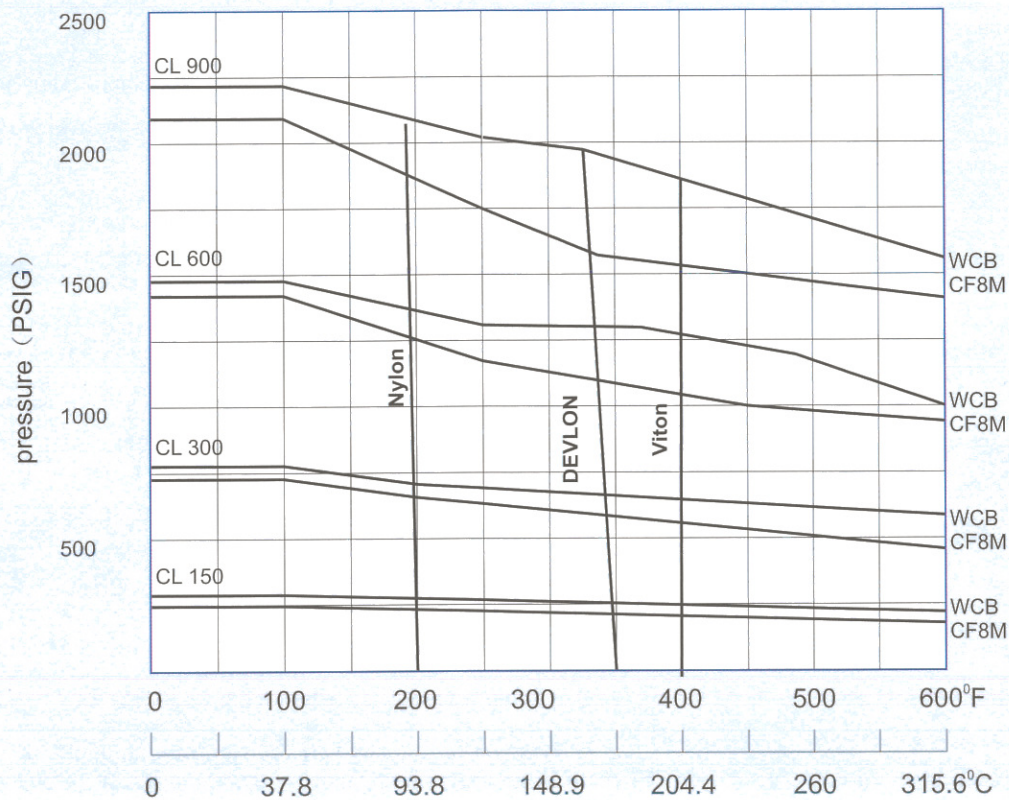


In event of fire, secondary gasket PTFE burned. Impacted flexible graphite gasket will be sealed in order that ball and seat can be sealed under pressure.

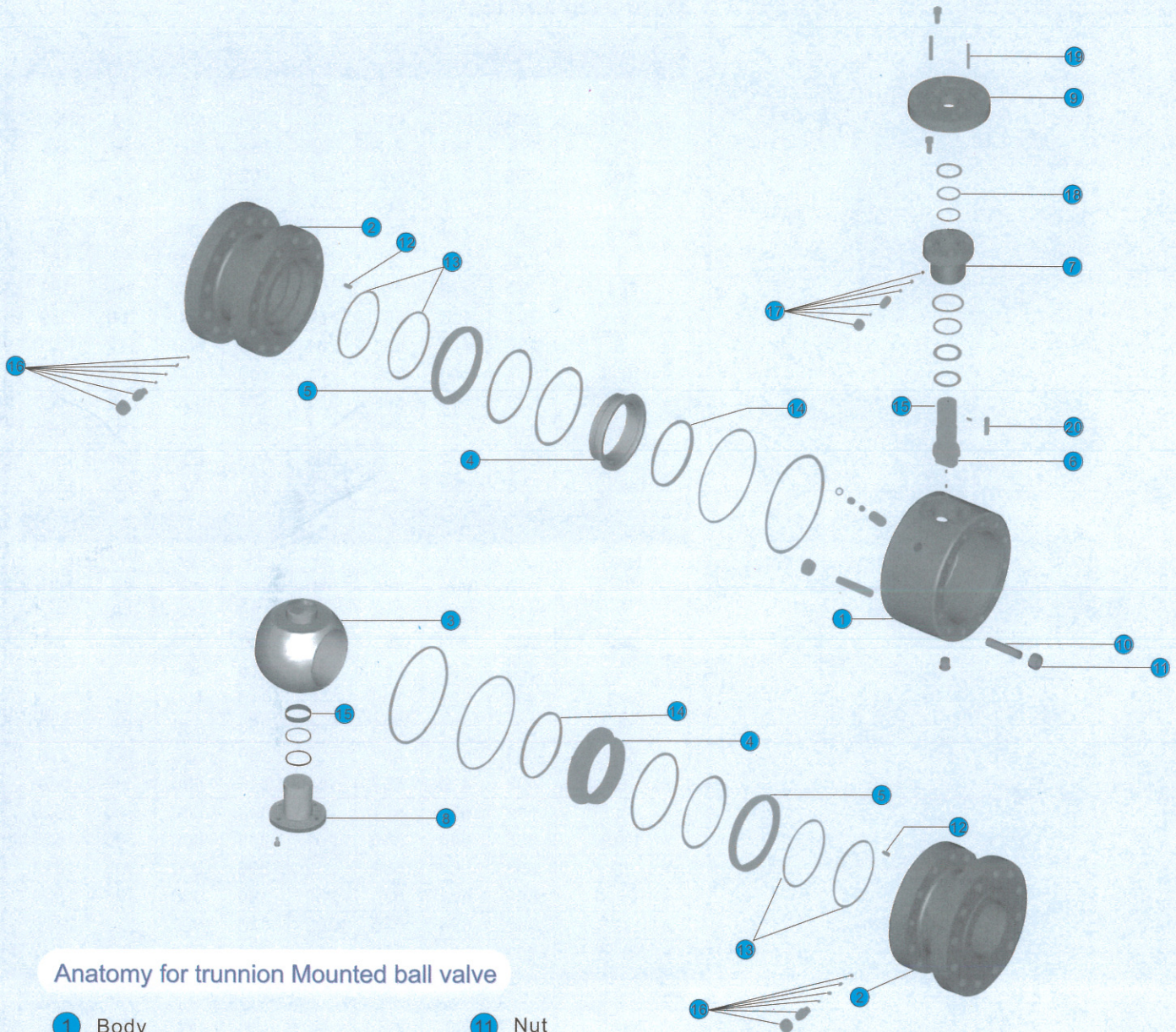


If seat insert is burned by fire, ball contacts with the seat lug boss. O-ring burned, then it is flexible graphite to carry out the sealing.

Graph for pressure & Temperature



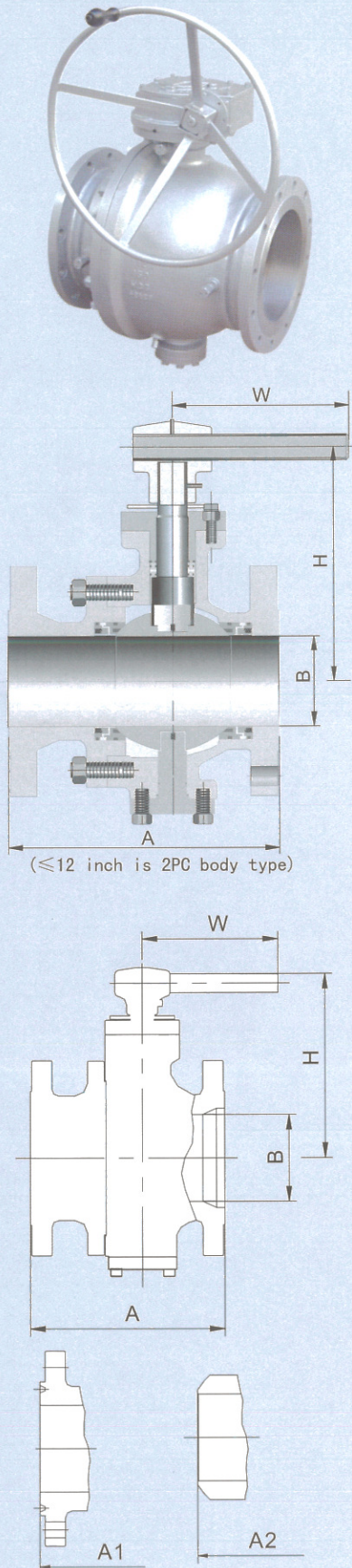
Trunnion Mounted Ball Valve



Anatomy for trunnion Mounted ball valve

- | | |
|-------------------|---------------------------------|
| 1 Body | 11 Nut |
| 2 Left-Right Body | 12 Spring |
| 3 Ball | 13 Graphite Washer |
| 4 Seat | 14 Seat Insert |
| 5 Secondary Seat | 15 Radial bearing |
| 6 Stem | 16 Seat sealant Injection Valve |
| 7 Upper Cover | 17 Stem Sealant Injection Valve |
| 8 Lower Cover | 18 O ring |
| 9 Top Flange | 19 Pin |
| 10 Stud | 20 Key |

2PC Body Trunnion Mounted Ball Valve in Cast Steel-Series



Main size and weight

CLASS 150

NPS inch	A	A1	A2	B	H	W	WT	T
	mm	mm	mm	mm	mm	mm	kg	N.m
2	178	191	216	49	152	300	19	50
3x2	203	216	283	49	152	300	32	50
3	203	216	283	74	176	450	36	65
4x3	229	241	305	74	176	450	50	65
4	229	241	305	100	205	650	53	151
6x4	394	406	457	100	205	650	96	151
* 6	394	406	457	150	300	460	100	320
* 8	457	470	521	201	360	600	172	1020
* 10x8	533	546	559	201	360	600	275	1020
* 10	533	546	559	252	374	600	284	1085
* 12x10	610	622	635	252	374	600	482	1085
* 12	610	622	635	303	415	600	494	1562
* 14x12	686	699	762	303	415	600	600	1562

CLASS 300

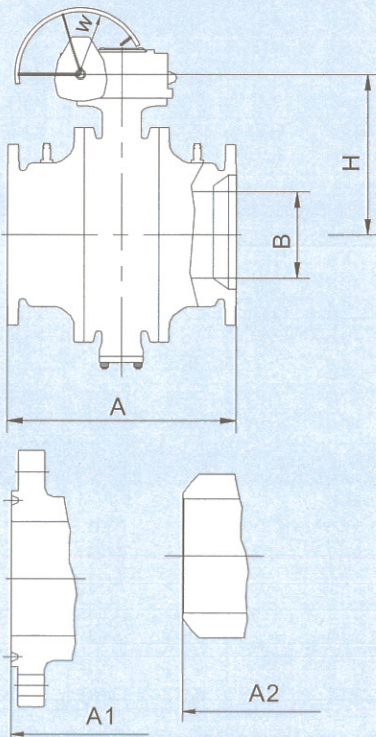
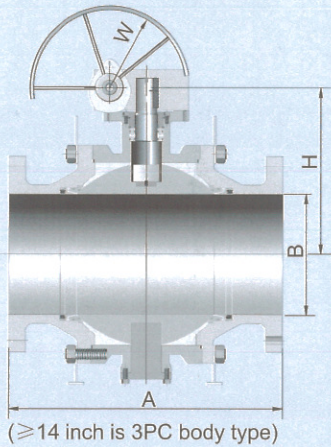
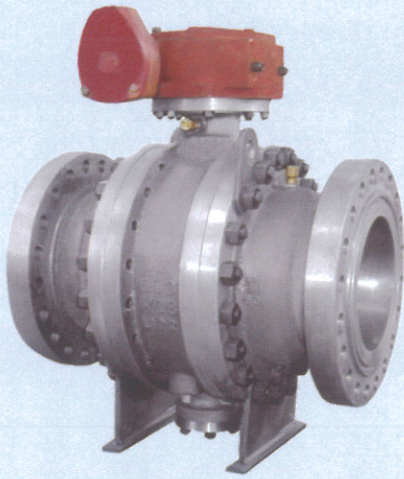
NPS inch	A	A1	A2	B	H	W	WT	T
	mm	mm	mm	mm	mm	mm	kg	N.m
2	216	232	216	49	138	400	18	86
3x2	283	298	283	49	138	400	25	86
3	283	298	283	74	215	400	30	110
4x3	305	321	305	74	215	400	62	110
4	305	321	305	100	250	650	95	270
6x4	403	419	457	100	250	650	154	270
* 6	403	419	457	150	310	460	200	544
* 8	502	518	521	201	343	600	246	1620
* 10x8	568	584	559	201	343	600	300	1620
* 10	568	584	559	252	396	600	308	1824
* 12x10	648	664	635	252	396	600	496	1824
* 12	648	664	635	303	423	600	512	2632
* 14x12	762	778	762	303	423	600	650	2632

CLASS 600

NPS inch	A	A1	A2	B	H	W	WT	T
	mm	mm	mm	mm	mm	mm	kg	N.m
2	292	295	292	49	157	400	30	148
3X2	356	359	356	49	157	400	42	148
3	356	359	356	74	181	600	55	200
4X3	432	435	432	74	181	600	72	200
4	432	435	432	100	222	650	86	460
6X4	559	562	559	100	222	650	128	460
* 6	559	562	559	150	325	460	225	908
* 8	660	664	660	201	355	600	354	2560
* 10X8	787	791	787	201	355	600	447	2560
* 10	787	791	787	252	400	600	604	3048
* 12X10	838	841	838	252	400	600	740	3048
* 12	838	841	838	303	440	600	830	4300
* 14X12	889	892	889	303	440	600	1070	4300

* Gear operated

3PC Body Trunnion Mounted Ball Valve in Cast Steel-Series No.502



Main size and weight(Gear operated)

CLASS 150

NPS inch	A	A1	A2	B	W	H	WT	T
	mm	mm	mm	mm	mm	mm	Kg	N.m
14	686	699	762	334	600	460	592	2426
16x12	762	775	838	303	600	440	564	1526
16x14	762	775	838	334	600	460	655	2426
16	762	775	838	385	700	500	805	3018
18x16	864	876	914	385	700	500	905	3018
18	864	876	914	436	700	540	954	4574
20x18	914	927	991	436	700	540	1141	4574
20	914	927	991	487	700	570	1308	6016
24x20	1067	1080	1143	487	700	570	1525	6016
24	1067	1080	1143	589	700	660	1656	9750
28x24	1245	/	1346	589	700	660	1989	9750
28	1245	/	1346	684	762	810	2409	14540
30x28	1295	/	1397	684	762	810	2520	14540
32x28	1372	/	1524	684	762	810	2830	14540
30	1295	/	1397	735	762	930	2686	18005
32	1372	/	1524	779	762	965	3096	21350

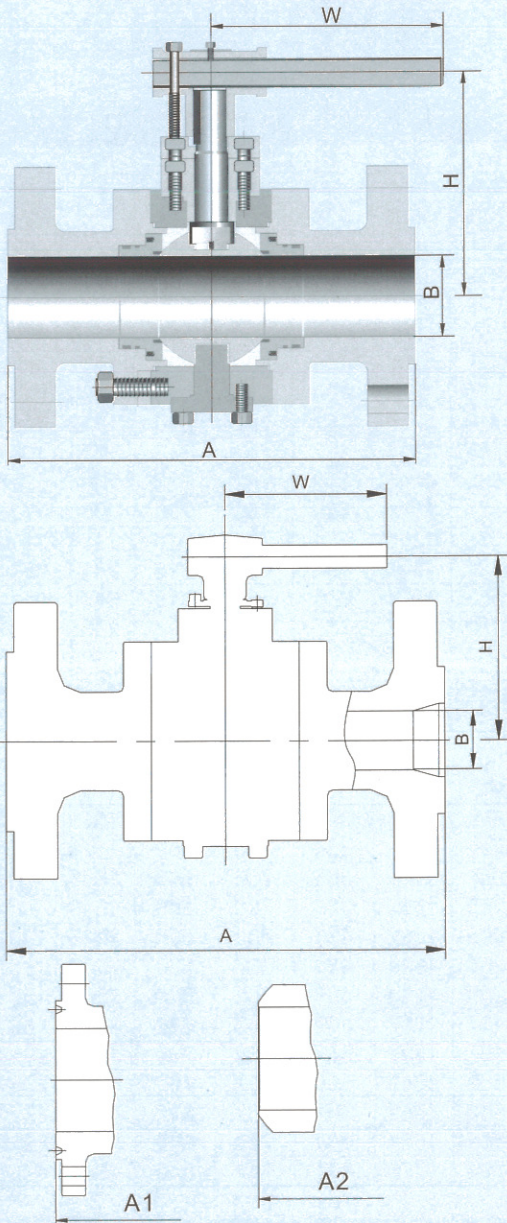
CLASS 300

NPS inch	A	A1	A2	B	W	H	WT	T
	mm	mm	mm	mm	mm	mm	Kg	N.m
14	762	778	762	334	700	420	612	4280
16x12	838	854	838	303	600	386	592	2632
16x14	838	854	838	334	700	420	925	4280
16	838	854	838	385	700	530	1018	5376
18x16	914	930	914	385	700	530	1110	5376
18	914	930	914	436	700	580	1181	8000
20x18	991	1010	991	436	700	580	1280	8000
20	991	1010	991	487	762	640	1352	10610
24x20	1143	1165	1143	487	762	640	1710	10610
24	1143	1165	1143	589	762	720	1906	17280
28x24	1346	1372	1346	589	762	720	2008	17280
28	1346	1372	1346	684	762	918	2114	25102
30x28	1397	1422	1397	684	762	918	2312	25102
32x28	1524	1553	1524	684	762	918	2419	25102
30	1397	1422	1397	735	762	1100	2355	31664
32	1524	1553	1524	779	762	1360	2586	37586

CLASS 600

NPS inch	A	A1	A2	B	W	H	WT	T
	mm	mm	mm	mm	mm	mm	Kg	N.m
14	889	892	889	334	700	450	1150	7255
16x12	991	994	991	303	700	440	1016	4300
16x14	991	994	991	334	700	450	1218	7255
16	991	994	991	385	700	500	1550	9174
18x16	1092	1095	1092	385	700	500	1640	9174
18	1092	1095	1092	436	762	560	2145	13520
20x18	1194	1200	1194	436	762	560	2296	13520
20	1194	1200	1194	487	762	620	2864	18034
24x20	1397	1407	1397	487	762	620	3018	18034
24	1397	1407	1397	589	762	700	3696	29512
28x24	1549	1562	1549	589	762	700	3998	29512
28	1549	1562	1549	684	762	840	4060	42264
30x28	1651	1664	1651	684	762	840	4290	42264
32x28	1778	1794	1778	684	762	840	4584	42264

3PC Body Trunnion Mounted Ball Valve in Forge Steel-Series



Main size and weight (lever operated)

CLASS 150

NPS inch	A	A1	A2	B	H	W	WT	T
	mm	mm	mm	mm	mm	mm	Kg	N.m
2	178	191	216	49	146	300	17	50
3x2	203	216	283	49	146	300	30	50
3	203	216	283	74	200	400	37	65
4x3	229	241	305	74	200	400	42	65
4	229	241	305	100	204	450	49	151
6x4	394	406	457	100	204	450	100	151

CLASS 300

NPS inch	A	A1	A2	B	H	W	WT	T
	mm	mm	mm	mm	mm	mm	Kg	N.m
2	216	232	216	49	143	300	22	86
3x2	283	298	283	49	143	300	40	86
3	283	298	283	74	185	500	45	110
4x3	305	321	305	74	185	500	60	110
4	305	321	305	100	204	600	70	270
6x4	403	419	457	100	204	600	150	270

CLASS 600

NPS inch	A	A1	A2	B	H	W	WT	T
	mm	mm	mm	mm	mm	mm	Kg	N.m
2	292	295	292	49	185	500	32	148
3x2	356	359	356	49	185	500	48	148
3	356	359	356	74	190	600	56	200
4x3	432	435	432	74	190	600	80	200
4	432	435	432	100	210	650	105	460
6x4	559	562	559	100	210	650	210	460

CLASS 900

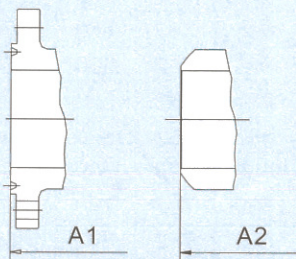
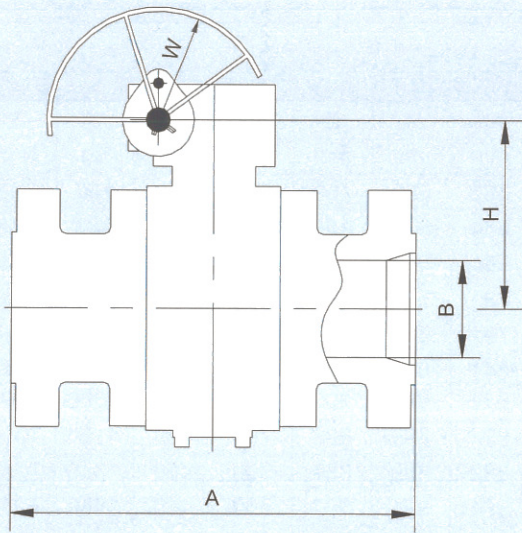
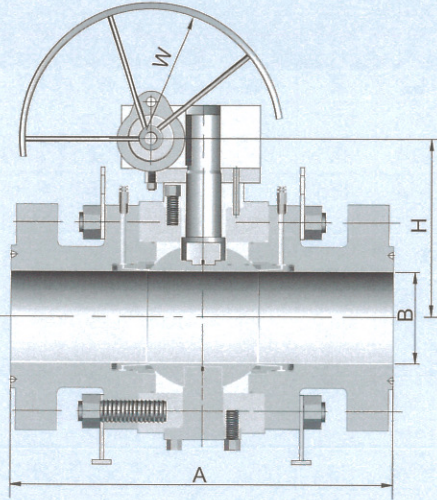
NPS inch	A	A1	A2	B	H	W	WT	T
	mm	mm	mm	mm	mm	mm	Kg	N.m
2	368	371	368	49	180	650	48	208
3x2	381	384	381	49	180	650	55	208
3	381	384	381	74	208	700	83	280
4x3	457	460	457	74	208	700	100	280
4	457	460	457	100	222	800	127	650
6x4	610	613	610	100	222	800	240	650

CLASS 1500

NPS inch	A	A1	A2	B	H	W	WT	T
	mm	mm	mm	mm	mm	mm	Kg	N.m
2	368	371	368	49	175	600	62	330
3x2	470	473	470	49	175	600	110	330
3	470	473	470	74	232	930	135	440
4x3	546	549	546	74	232	930	150	440
4	546	549	546	100	295	1000	195	1034
6x4	705	711	705	100	295	1000	350	1034

CLASS 2500

NPS inch	A	A1	A2	B	H	W	WT	T
	mm	mm	mm	mm	mm	mm	Kg	N.m
2	451	454	451	42	273	900	120	1000
3x2	578	584	578	42	273	900	182	1000
3	578	584	578	62	350	1200	300	2500
4x3	673	683	673	62	350	1200	510	2500
4	673	683	673	87	410	1300	620	6540
6x4	914	927	914	87	410	1300	730	6540



Main size and weight (Gear operated)

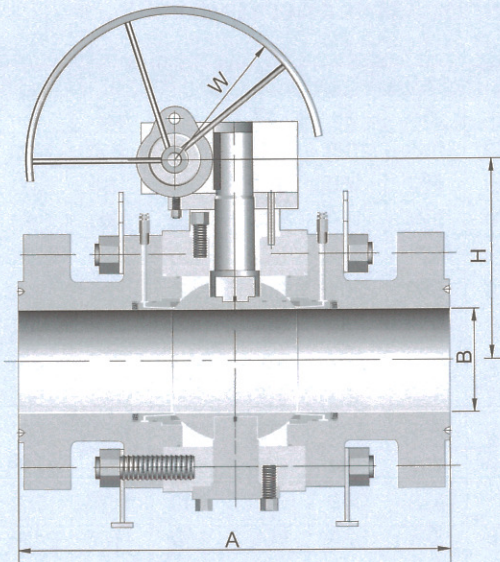
CLASS 150

NPS inch	A	A1	A2	B	W	H	WT	T
	mm	mm	mm	mm	mm	mm	Kg	N.m
6	394	406	457	150	600	280	154	320
8×6	457	470	521	150	600	280	240	320
8	457	470	521	201	600	320	270	1020
10×8	533	546	559	201	600	320	370	1020
10	533	546	559	252	600	360	462	1085
12×10	610	622	635	252	600	360	535	1085
12	610	622	635	303	600	400	646	1562
14×12	686	699	762	303	600	400	845	1562
14	686	699	762	334	600	460	958	2426
16×12	762	775	838	303	600	400	1120	1562
16×14	762	775	838	334	600	460	1160	2426
16	762	775	838	385	700	500	1248	3018
18×16	864	876	914	385	700	500	1350	3018
18	864	876	914	436	700	540	1440	4574
20×18	914	927	991	436	700	540	1850	4574
20	914	927	991	487	700	570	1960	6016
24×20	1067	1080	1143	487	700	570	2540	6016
24	1067	1080	1143	589	700	660	2810	9750
28×24	1245	/	1346	589	700	660	3750	9750
28	1245	/	1346	684	762	810	4045	14540
30×28	1295	/	1397	684	762	810	4520	14540
32×28	1372	/	1524	684	762	810	4540	14540
30	1295	/	1397	735	762	930	4850	18005
32	1372	/	1524	779	762	965	5490	21350

CLASS 300

NPS inch	A	A1	A2	B	W	H	WT	T
	mm	mm	mm	mm	mm	mm	Kg	N.m
6	403	419	457	150	600	300	175	544
8×6	502	518	521	150	600	300	215	544
8	502	518	521	201	600	323	327	1620
10×8	568	584	559	201	600	323	382	1606
10	568	584	559	252	600	365	408	1824
12×10	648	664	635	252	600	365	570	1824
12	648	664	635	303	600	386	735	2632
14×12	762	778	762	303	600	386	980	2632
14	762	778	762	334	700	420	1162	4280
16×12	838	854	838	303	600	386	1080	2632
16×14	838	854	838	334	700	420	1250	4280
16	838	854	838	385	700	530	1492	5376

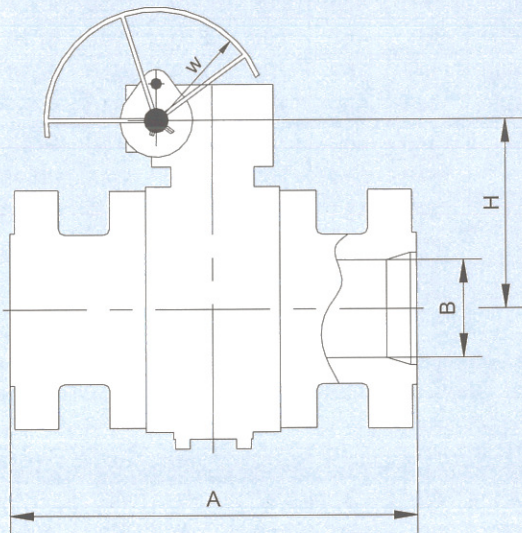
3PC Body Trunnion Mounted Ball Valve in Forge Steel-Series



Main size and weight(Gear operated)

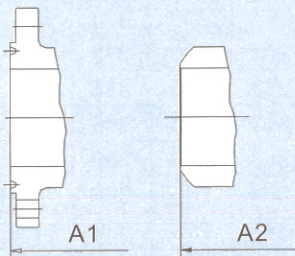
CLASS 300

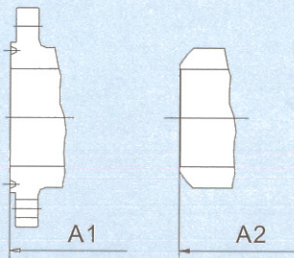
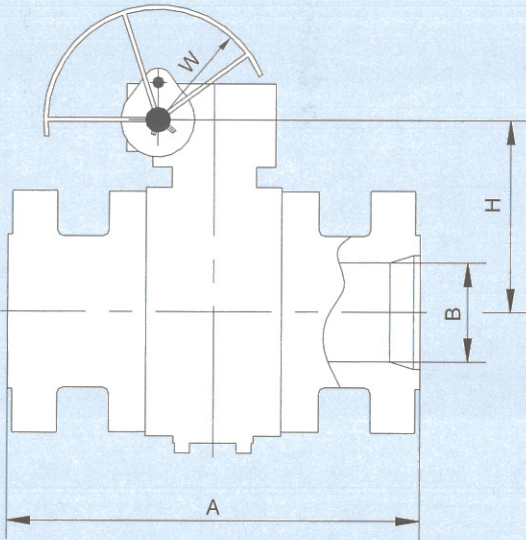
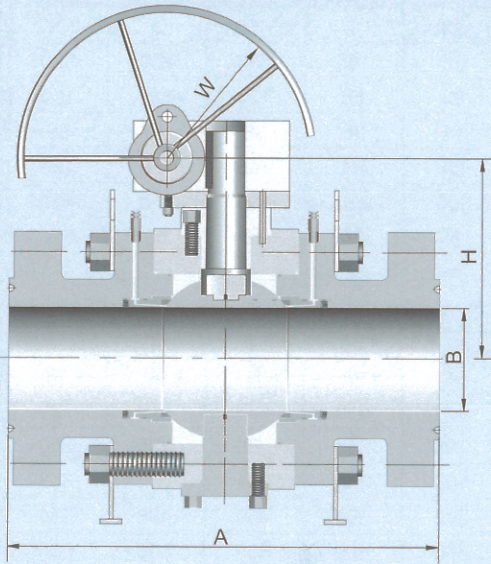
NPS inch	A	A1	A2	B	W	H	WT	T
	mm	mm	mm	mm	mm	mm	Kg	N.m
18×16	914	930	914	385	700	530	1620	5376
18	914	930	914	436	700	580	1752	8000
20×18	991	1010	991	436	700	580	1910	8000
20	991	1010	991	487	762	640	2695	10610
24×20	1143	1165	1143	487	762	640	2860	10610
24	1143	1165	1143	589	762	720	3210	17280
28×24	1346	1372	1346	589	762	720	4050	17280
28	1346	1372	1346	684	762	918	4575	25102
30×28	1397	1422	1397	684	762	918	4970	25102
32×28	1524	1553	1524	684	762	918	5010	25102
30	1397	1422	1397	735	762	1100	5590	31664
32	1524	1553	1524	779	762	1360	6240	37580



CLASS 600

NPS inch	A	A1	A2	B	W	H	WT	T
	mm	mm	mm	mm	mm	mm	Kg	N.m
6	559	562	559	150	600	270	260	908
8×6	660	664	660	150	600	270	382	908
8	660	664	660	201	600	320	465	2560
10×8	787	791	787	201	600	320	591	2560
10	787	791	787	252	600	350	750	3048
12×10	838	841	838	252	600	350	856	3048
12	838	841	838	303	700	400	1090	4300
14×12	889	992	889	303	700	400	1150	4300
14	889	892	889	334	700	450	1335	7255
16×12	991	994	991	303	700	400	1450	4300
16×14	991	994	991	334	700	450	1560	7255
16	991	994	991	385	700	500	1810	9174
18x16	1092	1095	1092	385	700	500	2300	9174
18	1092	1095	1092	436	762	560	2500	13520
20x18	1194	1200	1194	436	762	560	2750	13520
20	1194	1200	1194	487	762	620	3000	18034
24x20	1397	1407	1397	487	762	620	4150	18034
24	1397	1407	1397	589	762	700	5000	29512
28x24	1549	1562	1549	589	762	700	5500	29512
28	1549	1562	1549	684	762	840	6100	42264
30x28	1651	1664	1651	684	762	840	6800	42264
32x28	1778	1794	1778	684	762	840	7200	42264





Main size and weight(Gear operated)

CLASS 900

NPS inch	A	A1	A2	B	W	H	WT	T
	mm	mm	mm	mm	mm	mm	Kg	N.m
6	610	613	610	150	600	270	305	1298
8x6	737	740	737	150	600	270	480	1298
8	737	740	737	201	600	325	560	3596
10x8	838	841	838	201	600	325	750	3596
10	838	841	838	252	600	360	858	4306
12x10	965	968	965	252	600	360	1050	4306
12	965	968	965	303	700	450	1343	6000
14x12	1029	1038	1029	303	700	450	1520	6000
14	1029	1038	1029	322	700	550	1610	10220
16x14	1130	1140	1130	322	700	550	1850	10220
16	1130	1140	1130	373	762	650	2525	12968
18x16	1219	1232	1219	373	762	650	2690	12698
18	1219	1232	1219	423	762	750	2870	19054
20x18	1321	1334	1321	423	762	750	2950	19054
20	1321	1334	1321	471	762	830	3480	25452
24x20	1549	1568	1549	471	762	830	3600	25452

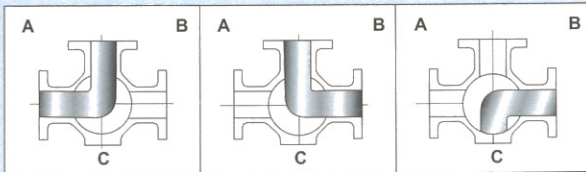
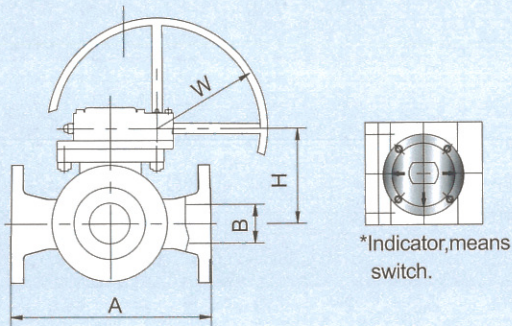
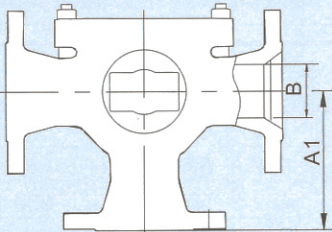
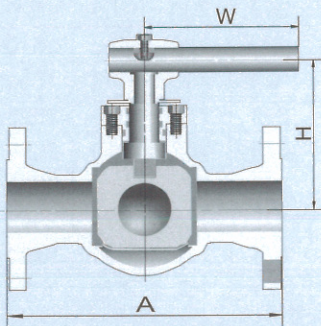
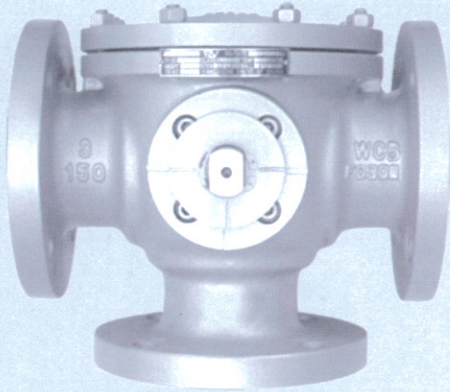
CLASS 1500

NPS inch	A	A1	A2	B	W	H	WT	T
	mm	mm	mm	mm	mm	mm	Kg	N.m
6	705	711	705	144	600	300	461	2084
8x6	832	841	832	144	600	300	560	2084
8	832	841	832	192	600	360	640	5496
10x8	991	1000	991	192	600	360	930	5496
10	991	1000	991	239	700	410	1210	6720
12x10	1130	1146	1130	239	700	410	1356	6720
12	1130	1146	1130	287	700	500	1592	14520
14x12	1257	1276	1257	287	700	500	1830	14520
14	1257	1276	1257	315	762	560	2260	32600
16x12	1384	1407	1384	287	700	500	1956	14520
16x14	1384	1407	1384	315	762	560	2560	32600
16	1384	1407	1384	360	762	640	3760	64000

CLASS 2500

NPS inch	A	A1	A2	B	W	H	WT
	mm	mm	mm	mm	mm	mm	Kg
6	914	927	914	131	700	480	1524
8x6	1022	1038	1022	131	700	480	1623
8	1022	1038	1022	179	762	520	1880
10x8	1270	1292	1270	179	762	520	2421

Three-Way Ball Valve in Cast Steel Series



* L type three way ball valve, has two direction in through status. Rotating ball 1/4 turns can block or circulate medium.

Main size and weight

CLASS 150

NPS(inch)	1/2	3/4	1	1 1/2	2	2 1/2
A(mm)	140	165	165	250	260	320
A1(mm)	70	83	83	125	130	160
B(mm)	13	19	25	38	49	62
H(mm)	64	84	84	145	150	185
W(mm)	160	230	230	300	350	400
T(N.m)	18	20	25	48	50	85

CLASS 150

NPS(inch)	3	4	* 6	* 8	* 10	* 12
A(mm)	320	370	510	580	670	720
A1(mm)	160	185	255	290	335	360
B(mm)	74	100	150	201	252	303
H(mm)	190	220	390	460	498	540
W(mm)	400	650	460	600	600	600
T(N.m)	96	155	580	980	2080	3500

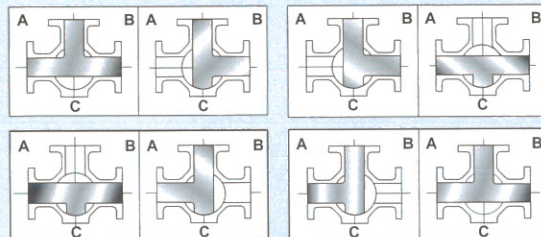
CLASS 300

NPS(inch)	1/2	3/4	1	1 1/2	2	2 1/2
A(mm)	140	165	165	250	260	320
A1(mm)	70	83	83	125	130	160
B(mm)	13	19	25	38	49	62
H(mm)	64	84	84	145	150	185
W(mm)	160	230	230	300	350	400
T(N.m)	20	28	33	60	70	90

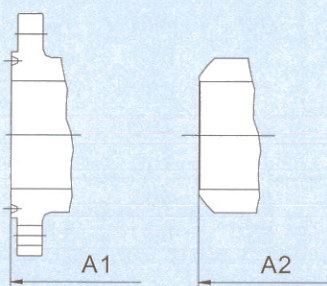
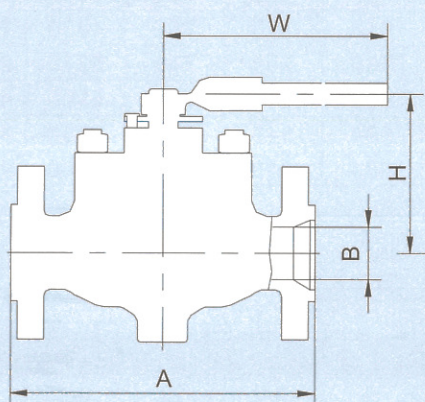
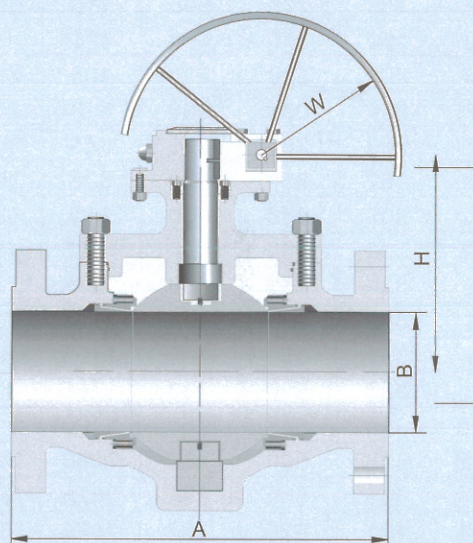
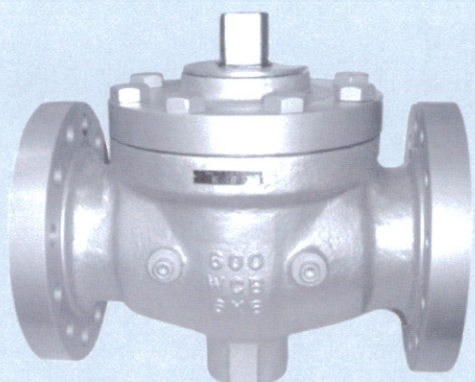
CLASS 300

NPS(inch)	3	4	* 6	* 8	* 10	* 12
A(mm)	320	370	510	580	670	720
A1(mm)	160	185	255	290	335	360
B(mm)	74	100	150	201	252	303
H(mm)	190	220	390	460	498	540
W(mm)	400	650	460	600	600	600
T(N.m)	120	250	1084	2244	4500	6000

* Gear operated



T type three way ball valve, it is available to have three or two directions in the through status at the same time. The ball rotates 1/2 turn to block or circulate medium.



Main size and weight

CLASS 600

NPS inch	A	A1	A2	B	H	W	WT	T
	mm	mm	mm	mm	mm	mm	Kg	N.m
2	292	295	292	49	200	500	25	148
3	356	359	356	74	210	600	44	200
4	432	435	432	100	230	650	90	460
* 6	559	562	559	150	290	600	220	908
* 8	660	664	660	201	365	600	392	2560
* 10	787	791	787	252	400	600	640	3048
* 12	838	841	838	303	460	700	895	4300

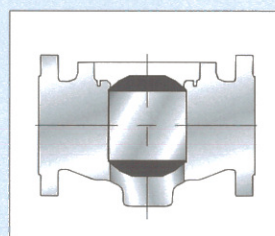
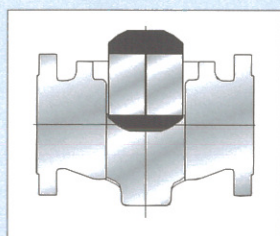
CLASS 900

NPS inch	A	A1	A2	B	H	W	WT	T
	mm	mm	mm	mm	mm	mm	Kg	N.m
2	368	371	368	36	190	650	48	208
3	381	384	381	62	215	700	83	280
4	457	460	457	100	240	800	155	650
* 6	610	613	610	252	300	600	297	1298
* 8	737	740	737	201	375	600	505	3596
* 10	838	841	838	252	415	600	882	4306
* 12	965	968	965	303	512	700	1248	6000

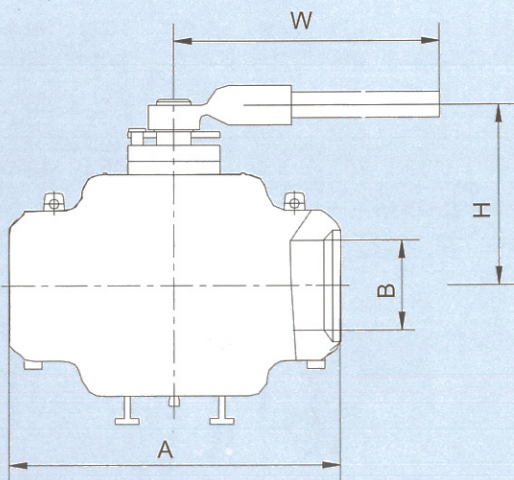
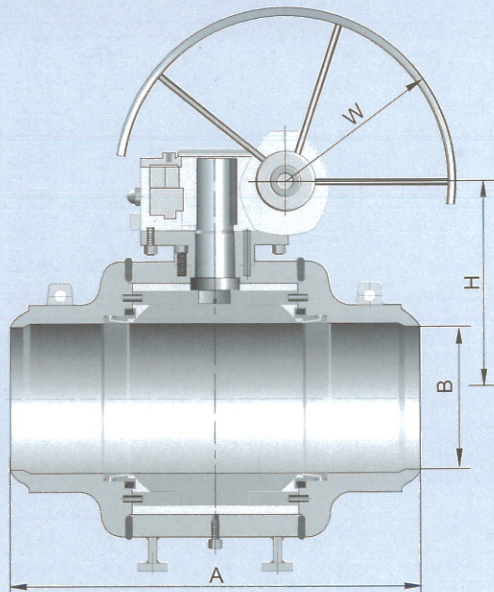
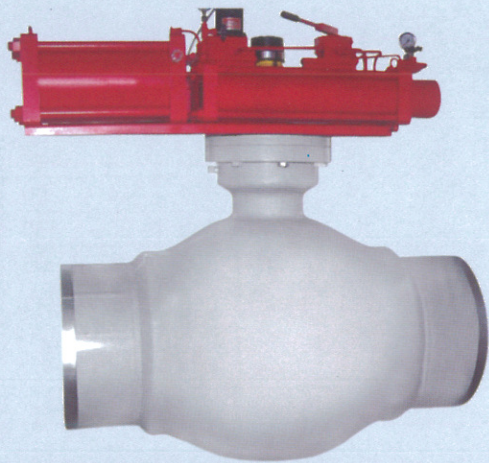
CLASS 1500

NPS inch	A	A1	A2	B	H	W	WT	T
	mm	mm	mm	mm	mm	mm	Kg	N.m
2	368	371	368	49	175	600	45	330
3	470	473	470	74	232	930	108	440
4	546	549	546	100	295	1000	150	1034
* 6	705	711	705	144	300	600	378	2084
* 8	832	841	832	192	360	600	550	5496
* 10	991	1000	991	239	410	700	1078	6720
* 12	1130	1146	1130	287	500	700	1450	14520

* Gear operated



*Ball is placed from top so that it can be removed conveniently,also can be repaired on pipeline directly.



Main size and weight

CLASS 600

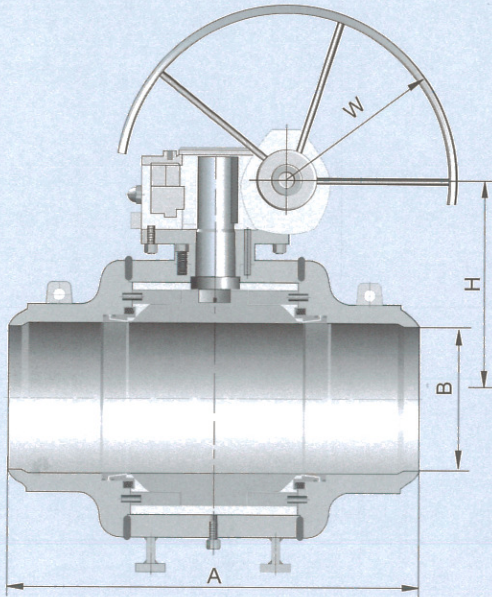
NPS inch	A	B	H	W	WT	T
	mm	mm	mm	mm	Kg	N.m
2	292	49	185	500	27	148
3x2	356	49	185	500	40	148
3	356	74	190	600	48	200
4x3	432	74	210	600	74	200
4	432	100	220	650	95	460
6x4	559	100	220	650	180	460
* 6	559	150	270	600	210	908
* 8x6	660	150	270	600	325	908
* 8	660	201	320	600	405	2560
* 10x8	787	201	320	600	510	2560
* 10	787	252	350	600	655	3048
* 12x10	838	252	350	600	805	3048
* 12	838	303	400	700	915	4300
* 14x12	889	303	400	700	1035	4300
* 14	889	334	450	700	1228	7255
* 16x12	991	303	400	700	1345	4300
* 16x14	991	334	450	700	1450	7255
* 16	991	385	500	700	1705	9174
* 18x16	1092	385	500	700	2190	9174
* 18	1092	436	560	762	2380	13520
* 20x18	1194	436	560	762	2625	13520
* 20	1194	487	620	762	2875	18034
* 24x20	1397	487	620	762	3600	18034
* 24	1397	589	700	762	4830	29512
* 28x24	1549	589	700	762	5310	29512
* 28	1549	684	840	762	5900	42264
* 30x28	1651	684	840	762	6530	42264
* 32x28	1778	684	840	762	6950	42264

CLASS 900

NPS inch	A	B	H	W	WT	T
	mm	mm	mm	mm	Kg	N.m
2	368	49	180	650	40	208
3x2	381	49	180	650	45	208
3	381	74	208	700	70	280
4x3	457	74	208	700	85	280
4	457	100	222	800	110	650
6x4	610	100	222	800	215	650

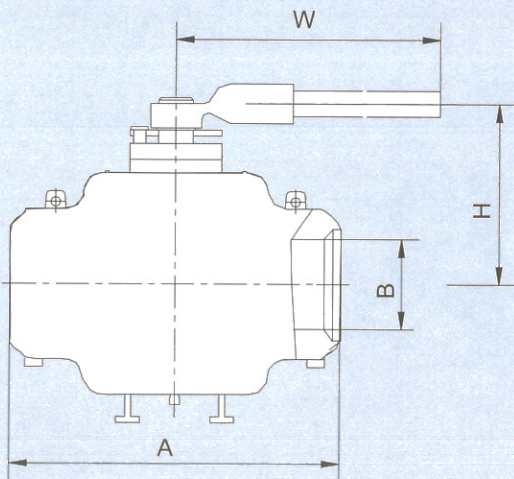
* Gear operated

Main size and weight



CLASS 900

NPS inch	A	B	W	H	WT	T
	mm	mm	mm	mm	Kg	N.m
* 6	610	150	600	270	255	1298
* 8x6	737	150	600	270	450	1298
* 8	737	201	600	325	525	3596
* 10x8	838	201	600	325	720	3596
* 10	838	252	600	360	810	4306
* 12x10	965	252	600	360	1000	4306
* 12	965	303	700	450	1270	6000
* 14x12	1029	303	700	450	1435	6000
* 14	1029	322	700	550	1515	10220
* 16x14	1130	322	700	550	1750	10220
* 16	1130	373	762	650	2420	12968
* 18x16	1219	373	762	650	2565	12968
* 18	1219	423	762	750	2740	19054
* 20x18	1321	423	762	750	2900	19054
* 20	1321	471	762	830	3325	25452
* 24x20	1549	471	762	830	3410	25452

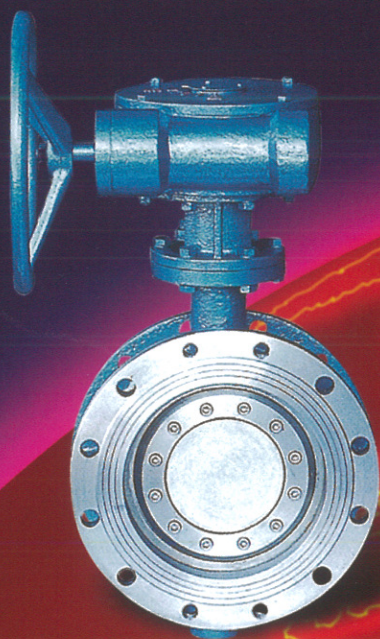


CLASS 1500

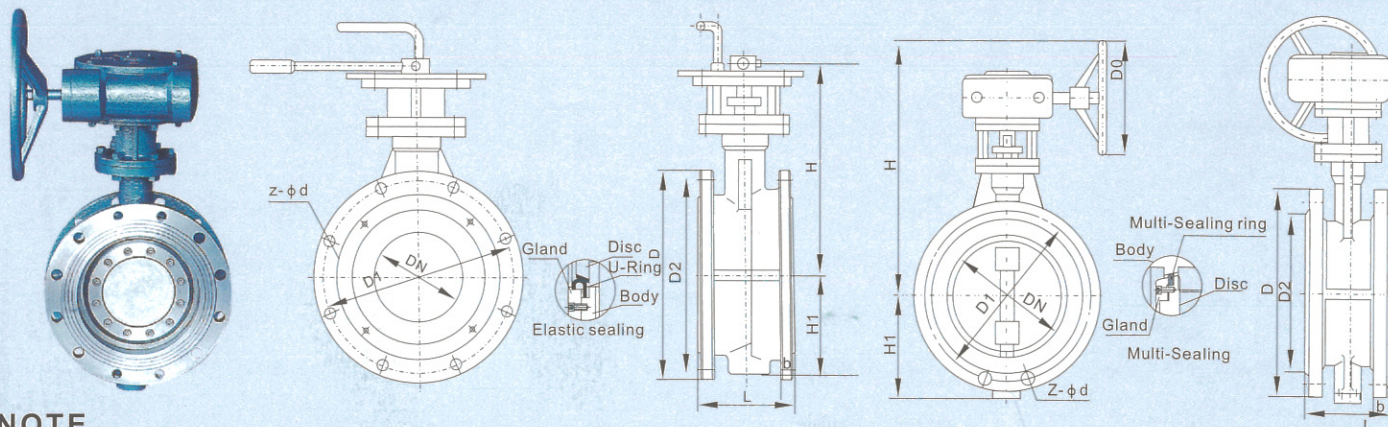
NPS inch	A	B	W	H	WT	T
	mm	mm	mm	mm	Kg	N.m
2	368	49	175	600	50	330
3x2	470	49	175	600	93	330
3	470	74	232	930	115	440
4x3	546	74	232	930	130	440
4	546	100	295	1000	170	1034
6x4	705	100	295	1000	305	1034
* 6	705	144	600	300	402	2084
* 8x6	832	144	600	300	498	2084
* 8	832	192	600	360	580	5496
* 10x8	991	192	600	360	845	5496
* 10	991	239	700	410	1120	6720
* 12x10	1130	239	700	410	1245	6720
* 12	1130	287	700	500	1492	14520
* 14x12	1257	287	700	500	1715	14520
* 14	1257	315	762	560	2140	32600
* 16x12	1384	287	700	500	1842	14520
* 16x14	1384	315	762	560	3100	32600
* 16	1384	360	762	640	3636	64000

* Gear operated

Butterfly valve & Plug valve Series



JIS Flange connection metallic seal butterfly valve



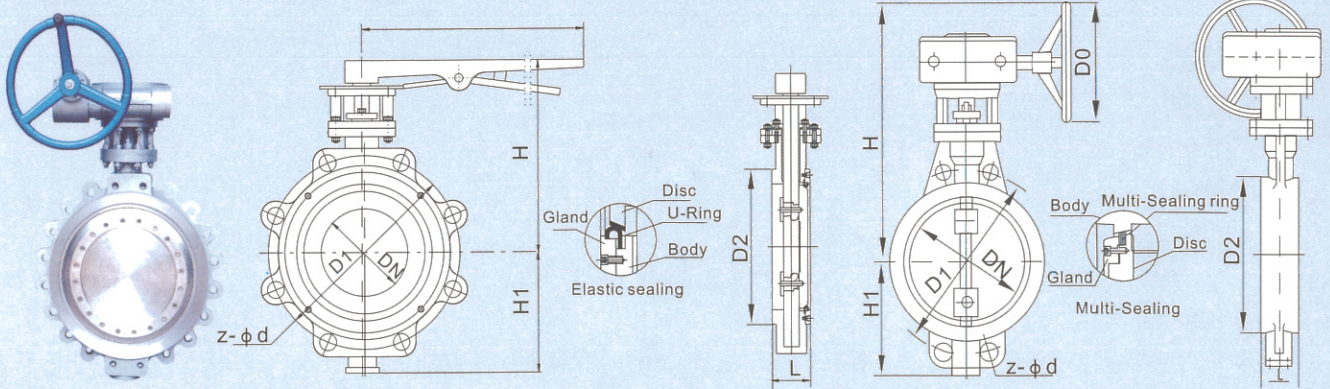
NOTE

1. Design Manufacture According to JISB2032
2. Face to Face According to ISO5752 of 13th seria
3. End Flange Dimension According to JISB2003-1987
4. Valve Check and Test According to JISB2003-1987

Flange connection, main dimension and weight

Pressure	DN Nominal Diameter		(Mm) Dimension										(Kg) Weight	
	mm	in	L	D	D1	D2	b	Z-φd	D0	H1	H	D41	D341	D41
10K	40	1 1/2	106	140	105	85	16	4-19	140	76	198	248	8	11.5
	50	2	108	155	120	100	16	4-19	140	85	202	254	9	12.5
	65	2 1/2	112	175	140	120	18	4-19	160	95	222	278	12	17
	80	3	114	185	150	130	18	4-19	160	106	246	312	14	21
	100	4	127	210	175	155	18	8-19	180	114	270	330	17.5	24.5
	125	5	140	250	210	185	20	8-19	180	130	294	368	23.5	30.5
	150	6	140	280	240	215	22	8-23	230	148	326	404	32	42.5
	200	8	152	330	290	265	22	8-23	230	176	-	496	-	86
	250	10	165	400	355	325	24	12-23	280	210	-	558	-	114
	300	12	178	445	400	370	24	12-25	310	238	-	632	-	142
	350	14	190	490	445	415	26	16-25	310	270	-	672	-	198
	400	16	216	560	510	475	28	16-25	310	302	-	714	-	268
	450	18	222	620	565	530	30	16-27	380	332	-	768	-	358
	500	20	229	675	620	585	30	20-27	380	370	-	828	-	468
600	24	267	795	730	690	32	20-27	450	432	-	952	-	608	
20K	40	1 1/2	106	140	105	85	18	24-33	140	76	198	248	9.5	13
	50	2	108	155	120	100	18	4-19	140	85	202	254	10.5	14
	65	2 1/2	112	175	140	120	20	8-19	180	95	222	288	14	19
	80	3	114	200	160	135	22	8-19	180	106	246	322	16.5	23.5
	100	4	127	225	185	160	24	8-23	230	122	278	355	20.5	27.5
	125	5	140	270	225	195	26	8-25	230	140	304	392	27	34
	150	6	140	305	260	230	28	12-25	280	156	336	428	37	47.5
	200	8	152	350	305	275	30	12-25	280	186	-	520	-	92
	250	10	165	430	380	345	34	12-27	310	220	-	574	-	121
	300	12	178	480	430	395	36	16-27	380	250	-	668	-	152
	350	14	190	540	480	440	40	16-33	380	288	-	708	-	212
	400	16	216	605	540	495	46	16-33	380	322	-	750	-	284
	450	18	222	675	605	560	48	20-33	450	348	-	802	-	380
	500	20	229	730	660	615	50	20-33	450	378	-	862	-	498
600	24	267	845	770	720	54	24-39	560	434	-	1006	-	640	

ANSI Wafer connection metallic sealing butterfly valve

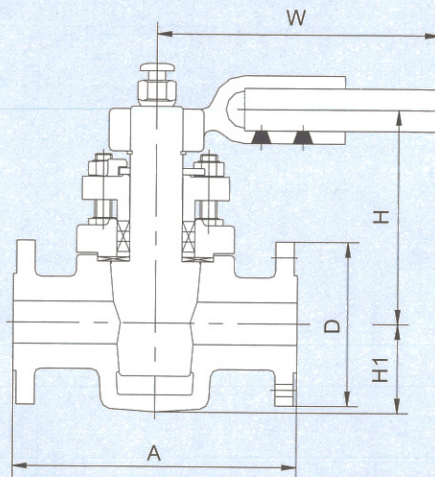
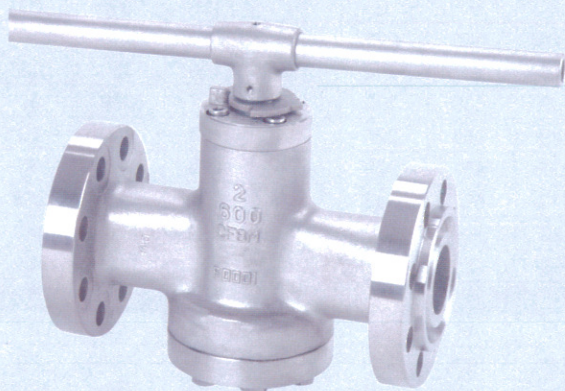


NOTE

1. Design Manufacture According to MSS-SP-68
2. Face to Face According to ISO5752 of 13th seria
3. End Flange Dimension According to ANSIB16.5
4. Valve Check and Test According to API598

Wafer connection, main dimension and weight

Pressure	DN		(mm)								(Kg)	
	Nominal Diameter		Dimension								Weight	
	in	mm	L	D1	D2	Z-φd	D0	H1	H		D71	D371
Class 150	1 1/2	38	33	98.5	73	4-15	140	76	200	250	3.5	7
	2	51	43	120.5	92	4-19	140	85	208	260	5	8.5
	2 1/2	64	46	139.5	105	4-19	160	95	228	284	6	11
	3	76	48	152.5	127	4-19	160	110	256	322	8.5	15.5
	4	102	54	190.5	157	8-19	180	122	278	338	11.5	18.5
	5	127	57	216	186	8-22	180	138	298	372	16	22.5
	6	152	57	241.5	216	8-22	230	158	326	404	20.5	28
	8	203	64	298.5	270	8-22	230	188	-	496	-	50
	10	254	71	362	324	12-25	280	224	-	558	-	64
	12	305	81	432	381	12-25	310	254	-	632	-	80
	14	337	92	476	413	12-29	310	288	-	672	-	104
	16	387	102	540	470	16-29	310	320	-	714	-	137.5
	18	438	114	578	533	16-32	380	350	-	768	-	177.5
	20	489	127	635	584	20-32	380	388	-	828	-	227
24	591	154	749.5	692	20-35	450	404	-	952	-	306.5	
Class 300	1 1/2	38	33	114.5	73	4-22	140	76	200	250	4.5	8.5
	2	51	43	127	92	8-19	140	85	208	260	6	9.5
	2 1/2	64	46	149	105	8-22	180	95	228	294	7	12
	3	76	48	168.5	127	8-22	180	110	256	332	9.5	17
	4	102	54	200	157	8-22	230	130	285	364	13	20
	5	127	59	235	186	8-22	230	148	308	396	18	24.5
	6	152	59	270	216	12-22	280	165	336	430	22.5	30.5
	8	203	73	330	270	12-25	280	198	-	522	-	54
	10	254	83	387.5	324	16-29	310	234	-	574	-	68
	12	305	92	451	381	16-32	380	266	-	668	-	86
	14	337	117	514.5	413	20-32	380	302	-	708	-	112
	16	387	133	571.5	470	20-35	380	338	-	750	-	148
	18	432	149	628.5	533	24-35	450	365	-	804	-	190
	20	483	159	686	584	24-35	450	402	-	862	-	242
24	584	181	813	692	24-41	560	448	-	1008	-	326	



Usage:

Mainly it is used to be service controller in oil, natural gas, chemical industries & etc. Field. Completed with pneumatic or electric actuator, the valve can be controlled by long-distance.

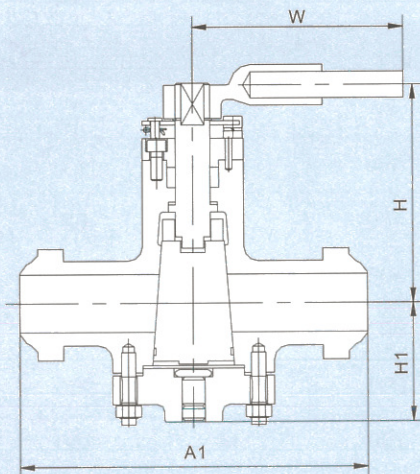
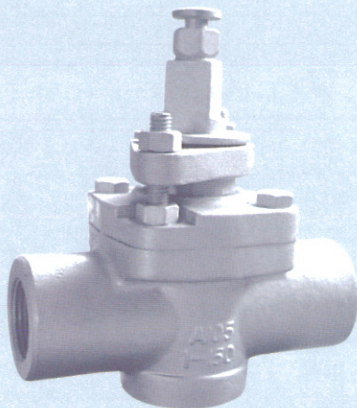
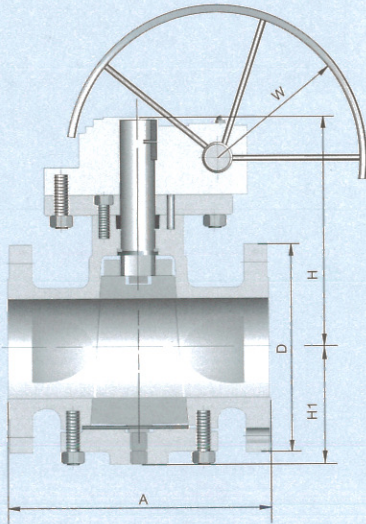
Main Size and Weight

CLASS 150								
NPS Inch	A	A1	D	H	H1	W	WT	T
	mm	mm	mm	mm	mm	mm	Kg	N.m
1 1/2	165	165	127	130	50	450	5	60
2	178	267	152	150	70	500	12	70
2 1/2	191	305	178	165	85	500	18	120
3	203	330	190	185	95	600	21	175
4	229	356	229	230	114	700	36	250
CLASS 300								
NPS Inch	A	A1	D	H	H1	W	WT	T
	mm	mm	mm	mm	mm	mm	Kg	N.m
1 1/2	191	191	155	130	50	450	6	85
2	216	267	165	160	70	500	18	100
2 1/2	241	305	190	210	102	500	23	210
3	283	330	210	230	114	600	25	250
4	305	356	254	250	140	700	44	350

Pressure Balanced Plug valves

Characters:

1. Manual and gear operated. To avoid operating valve by mistake, valve can be with padlock fitting.
2. Anti-static design.
3. Sealant injection system on body and stem.



Main Size and Weight

Short Pattern		CLASS 150						
NPS Inch	A mm	A1 mm	D mm	H mm	H1 mm	W mm	WT Kg	T N.m
2	178	267	152	175	106	350	18	80
3	203	330	190	180	127	600	31	180
4	229	356	229	214	158	700	50	250
6	267	457	279	270	185	900	93	320
* 8	292	521	343	370	220	600	299	1100
* 10	330	559	406	420	250	600	320	1520
* 12	356	635	483	490	310	600	350	2100

Venturi Pattern		CLASS 150						
NPS Inch	A mm	A1 mm	D mm	H mm	H1 mm	W mm	WT Kg	T N.m
* 10	533	559	406	420	250	600	335	1520
* 12	610	635	483	490	310	600	365	2100
* 14	686	686	533	495	315	600	386	2400
* 16	762	762	597	640	360	700	495	2720
* 18	864	864	635	680	420	762	620	2950
* 20	914	914	698	735	470	762	700	3020
* 24	1067	1067	813	790	520	762	820	3812

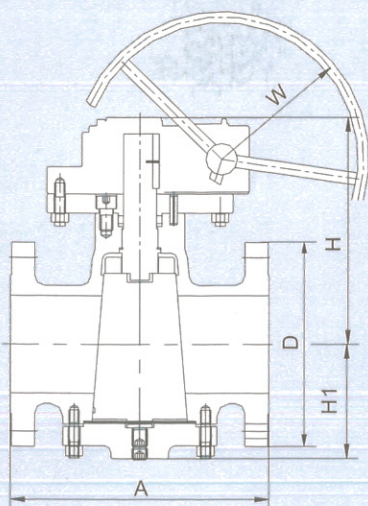
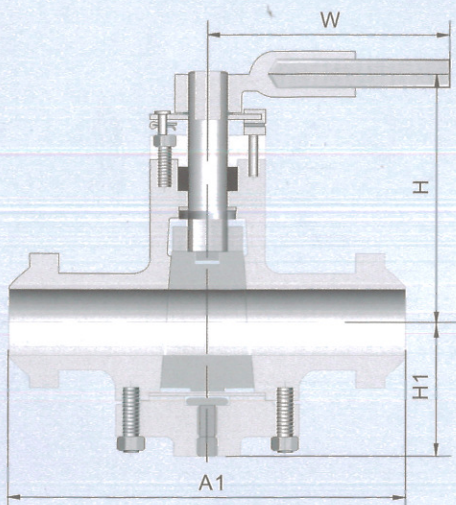
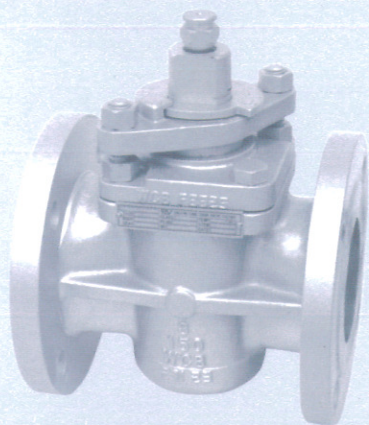
Short Pattern		CLASS 300						
NPS Inch	A mm	A1 mm	D mm	H mm	H1 mm	W mm	WT Kg	T N.m
2	216	267	165	184	104	500	23	100
3	283	330	210	185	117	600	38	250
4	305	356	254	265	143	700	68	356
6	403	457	318	307	180	900	142	720
* 8	419	521	381	390	203	600	202	1450
* 10	457	559	445	430	233	600	278	2210
* 12	502	635	521	580	285	700	375	2712

Venturi Pattern		CLASS 300						
NPS Inch	A mm	A1 mm	D mm	H mm	H1 mm	W mm	WT Kg	T N.m
6	403	457	318	307	180	900	142	720
* 8	419	521	381	390	203	600	202	1450
* 10	457	559	445	430	233	600	278	2210
* 12	502	635	521	580	285	700	375	2712
* 14	762	762	584	630	312	700	510	3500
* 16	838	838	648	735	345	762	620	4100
* 18	914	914	711	780	410	762	730	5200
* 20	991	991	775	830	470	762	870	6210
* 24	1143	1143	914	880	520	762	1020	8100

Reduced Bore Pattern		CLASS 600						
NPS Inch	A mm	A1 mm	D mm	H mm	H1 mm	W mm	WT Kg	T N.m
2	292	292	165	175	101	500	24	200
3	356	356	210	180	121	770	45	380
4	432	432	273	250	150	1100	85	720
6	559	559	356	340	185	1100	194	1200
* 8	660	660	419	405	216	600	305	2500
* 10	787	787	508	555	276	700	620	3000

* Gear operated

Pressure Balanced Plug Valve



Main Size and Weight

Venturi Pattern		CLASS 600						
NPS Inch	A mm	A1 mm	D mm	H mm	H1 mm	W mm	WT Kg	T N.m
6	559	559	356	340	185	1100	194	1200
* 8	660	660	419	405	216	600	305	2500
* 10	787	787	508	555	276	700	620	3000
* 12	838	838	559	680	310	762	932	6000
* 14	889	889	603	720	340	762	1150	8200
* 16	991	991	686	765	370	762	1380	9120
* 18	1092	1092	743	800	420	762	1620	10800
* 20	1194	1194	813	860	470	762	1921	14050

Reduced Bore Pattern		CLASS 900						
NPS Inch	A mm	A1 mm	D mm	H mm	H1 mm	W mm	WT Kg	T N.m
2	368	/	216	172	120	700	55	230
3	381	381	241	212	130	800	70	500
4	457	457	292	240	135	1000	116	750
* 6	610	610	381	320	180	600	236	1600
* 8	737	737	470	370	220	700	420	3200
* 10	838	838	546	420	260	762	860	6500

Venturi Pattern		CLASS 900						
NPS Inch	A mm	A1 mm	D mm	H mm	H1 mm	W mm	WT Kg	T N.m
* 6	610	610	381	320	180	600	236	1600
* 8	737	737	470	370	220	700	420	3200
* 10	838	838	546	420	260	762	860	6500
* 12	965	965	610	470	300	762	1250	8100
* 16	1130	1130	705	530	350	762	1650	9800

Reduced Bore Pattern		CLASS 1500						
NPS Inch	A mm	A1 mm	D mm	H mm	H1 mm	W mm	WT Kg	T N.m
2	368	/	216	260	125	800	63	250
3	470	470	267	310	140	1000	74	560
4	546	546	311	355	180	1200	150	912
* 6	705	705	394	430	220	600	320	3100
* 8	832	832	483	403	260	762	520	4500
* 10	991	991	584	460	310	762	950	7500
* 12	1130	1130	673	530	370	762	1300	9500

Venturi Pattern		CLASS 1500						
NPS Inch	A mm	A1 mm	D mm	H mm	H1 mm	W mm	WT Kg	T N.m
* 6	705	705	394	430	220	600	320	3100
* 8	832	832	483	403	260	762	520	4500
* 10	911	911	584	460	310	762	950	7500
* 12	1130	1130	673	530	370	762	1300	9500

* Gear operated.



SHUANGDA VALVE

ZHEJIANG SHUANGDA VALVE CO.,LTD.

ADD:Sanqiao Ind Zone OuBei Town Wenzhou City Zhejiang P.R China

TEL:0086-577-67980666

FAX:0086-577-67985598

ZIP:325105

<http://www.cnsdv.com>

E-mail:sdv@cnsdv.com